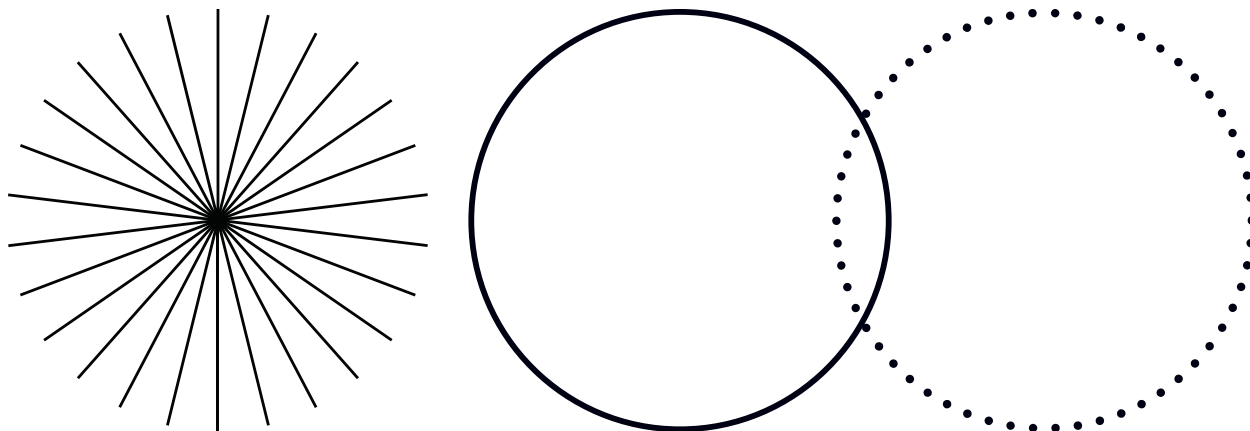


Diamond J-3 Series OEM Lasers

Preinstallation Manual



**Preinstallation Manual
Diamond J-3 Series
OEM Lasers**



1280 Blue Hills Avenue
Bloomfield, CT 06002

Diamond J-3 Series OEM Lasers Preinstallation Manual

This document is copyrighted with All Rights Reserved. Under copyright laws, this document must not be copied in full or in part, or reproduced by any other media, without the express written permission of Coherent Corp. (Coherent). Permitted copies must have the same proprietary and copyright notices as were attached to the original. This exception does not permit copies—whether or not sold—to be made for others; however, all the material purchased can be sold, given, or loaned to another person. Under the law, “copying” includes translation into another language.

Coherent and the Coherent Logo are registered trademarks of Coherent Corp. The Coherent name and logo may not be used or reproduced without prior written permission of Coherent Corp. The Diamond J-3 Series is a trademark of Coherent Corp. All other trademarks or registered trademarks are the property of their respective owners.

Patents referenced in this manual are active when the manual is printed (see last page for the revision date). It is advised to check www.coherent.com/company/patents to see if the patents are still active.

Every effort was made to make sure that the data shown in this document is accurate. The information, figures, tables, specifications, part numbers, and schematics contained in this manual are subject to change without notice. Coherent makes no warranty or representation, either expressed or implied, related to this document. In no event will Coherent be liable for any direct, indirect, special, incidental, or consequential damages caused by any defects in its documentation.

Technical Support

In the U.S.:

Should there be any difficulties with the laser or a need for any technical information, go to the Coherent website www.coherent.com. If further assistance is still needed, contact Coherent Technical Support by email customer.support@coherent.com or telephone, +1-734-456-3100. Be prepared to supply the model and laser head serial number of the laser system. Also include a description of the problem and any attempted corrective steps to the Product Support Engineer responding to the request.

Telephone coverage is available Monday through Friday (except U.S. holidays and company shutdowns). Inquiries received outside of normal office hours will be captured by the Coherent automatic answering system and will be quickly returned the next business day.

Outside the U.S.:

If located outside the U.S., visit www.coherent.com for technical assistance or contact the local Service Representative. Service Representative telephone numbers and addresses can be found on the Coherent website.

Coherent provides telephone and web-based technical assistance as a service to Coherent customers and assumes no liability for any injury or damage that can occur at the same time with such services. Under no conditions do these support services affect the terms of any warranty agreement between Coherent and the Buyer. Operation of any Coherent laser with any of its interlocks defeated is always at the operator's own risk.

Table of Contents

1 Introduction	1
1.1 Signal Words and Symbols in This Manual	1
1.1.1 Signal Words	1
1.1.2 Symbols	2
1.2 Preface	3
1.3 Export Control Laws Compliance	4
1.4 Notice Concerning Regulatory Status of Diamond Series Lasers	4
1.5 Notice Concerning Warranty	4
1.6 The Preinstallation Manual	5
1.6.1 Intended Audience	5
1.6.2 Numbering of Sections, Pages, and Instructions	5
1.6.3 Cited Standards	6
1.7 Laser Terminology	6
1.8 Units of Measurements	7
1.9 Feedback Regarding Documentation	7
1.9.1 Feedback Email Address	7
2 Laser Safety	9
2.1 Hazards	9
2.1.1 Optical Safety	10
2.1.1.1 Recommended Precautions and Guidelines	10
2.1.1.2 Laser Safety Eyewear	11
2.1.2 Viewing Distance	12
2.1.3 Electrical Safety	12
2.1.3.1 Recommended Precautions and Guidelines	13
2.2 Safety Features and Compliance with Government Requirements	14
2.2.1 Laser Classification	15
2.2.2 Protective Housing	15
2.2.3 Protective Covers (Safety Interlocks)	15
2.3 Compliance to Standards Relevant to CE and UKCA Marks	16
2.4 Environmental Compliance	16
2.4.1 Electromagnetic Compatibility	16
2.4.2 RoHS Compliance	17
2.4.3 China RoHS Compliance	17
2.4.4 REACH Compliance	17
2.4.5 Waste Electrical and Electronic Equipment	17
2.5 Location of Safety Labels	18
2.6 Sources of Additional Information	22
2.6.1 Laser Safety Standard	23
2.6.2 Publications and Guidelines	23
2.6.3 Equipment and Training	23

3 System Description	25
3.1 Introduction	25
3.2 Purpose of This Manual	27
3.3 J-3 Series Lasers	27
3.4 Laser System Components	28
3.4.1 Laser Resonator	29
3.4.2 Optics	30
3.4.3 Shutter Module with Diode Pointer (Optional)	30
3.4.4 Simmer Circuit	31
3.4.5 Control Electronics	31
3.4.6 Laser Temperature Monitor	32
3.5 RF Power Module	32
3.6 DC Power Supply	33
3.7 Configuration & Facility Requirements	34
3.8 Laser Dimensional Drawings	36
4 Utility Requirements and System Installation	39
4.1 Preinstallation Checklist	39
4.1.1 Confirm Laser Environment	41
4.1.1.1 Operation in Humid Environments	42
4.1.2 Receive and Inspect	43
4.1.3 Laser Installation Area	44
4.1.3.1 Service Access	44
4.1.4 Laser System Cooling	44
4.1.4.1 Coolant Temperature	45
4.1.4.2 Coolant Filtering	45
4.1.4.3 Coolant Composition	46
4.1.4.4 Freeze/Burst Protection	48
4.1.5 Alternative Coolant Composition	48
4.1.6 Freeze/Burst Protection	50
4.1.6.1 Flow Direction	51
4.1.6.2 Chiller Electrical Supply	51
4.1.6.3 Chiller Electrical Disconnect	51
4.1.7 Laser System Purge Gas	52
4.1.7.1 Delivery System Purge Gas	52
4.1.7.2 Guidelines for Use of Compressed Air for Purge	53
4.1.8 DC Power Supply	55
4.1.8.1 DC Power Supply Electrical Service	55
4.1.8.2 DC Power Supply Electrical Disconnect	55
4.1.8.3 Mains Power Cord	55
4.1.9 Beam Delivery System	56
4.1.9.1 Shutter	56
4.1.9.2 Accessory Coupler	56
4.1.9.3 Purge	56
4.1.9.4 Optical Isolation	57
4.1.10 Laser Control, Measurement & Diagnostic	57
4.1.10.1 Laser Power Measurement	57

4.1.11 Laser Safety	57
4.2 Installation	58
4.2.1 Required Tools	59
4.2.2 Required Parts and Equipment	59
4.2.3 Facility Preparation.....	61
4.2.4 Unpacking and Inspection	61
4.2.5 Unpacking Instructions	61
4.2.5.1 Option One: Forklift Method	62
4.2.5.2 Option Two: Eyebolt Method	66
4.2.6 Mounting Laser System Components	68
4.2.7 Set-up Purge	69
4.2.8 Service Access	69
4.2.9 Vertical and Side Mounting.....	71
4.2.10 Customer Mounting of Attached Accessories	73
4.2.11 Laser Head Connections	74
4.2.11.1 Coolant Line Connections	75
4.2.11.2 + 48 VDC Cable Connection	76
4.2.11.3 DC Return Cable Connection and Optional Grounding of RF Module	77
4.2.11.4 Optics Purge Connection	78
5 Control Interfaces	79
5.1 Introduction.....	79
5.2 Real Time Control and Status Interface.....	80
5.2.1 Fault Types.....	81
5.2.2 Real Time Control and Status I/O Description.....	82
5.2.3 Input Signal Requirements	84
5.2.4 Drive Circuit for RF Power Module	85
5.2.5 Output Signal Recommendation	87
5.2.6 Output Signal Description.....	88
5.2.7 Monitoring Circuit Example	88
5.3 Control Using Diamond Remote Control	90
5.4 Simmer	91
5.4.1 Simmer Faults	91
5.4.2 Simmer Discharge Loss Fault	91
5.4.3 Simmer Feedback Loss Fault.....	92
5.5 Output Signal Waveforms.....	92
5.6 Extended Interface Connector and Signal Descriptions	96
5.6.1 System Interlock.....	96
5.6.2 Shutter Control and Status	96
5.6.3 Over Temperature Fault	97
5.7 Extended Interface Signal Descriptions.....	97
5.8 Extended Interface Pin Descriptions	98
5.8.1 System Interlock Circuit.....	99

List of Illustrations

2-1.	Nominal Ocular Hazard Distance (NOHD).....	12
2-2.	Label Placement.....	19
2-3.	Labels.....	20
3-1.	J-3 Series Laser.....	26
3-2.	Simplified System Block Diagram.....	27
3-3.	J-3 Series Laser - Component Placement Diagram.....	28
3-4.	Laser Resonator Assembly.....	29
3-5.	J-3 Series Dimensions (including clearance).....	36
4-1.	Coolant Flow Diagram.....	45
4-2.	Water Circuits - Untreated and Treated.....	47
4-3.	Chiller Electrical Disconnect Switch (with Fuse Protection).....	51
4-4.	Purge Gas Diagram.....	53
4-5.	Air Filter Dryer Unit.....	54
4-6.	Removing Skid Banding.....	62
4-7.	Top Cover Removed.....	63
4-8.	Unfold the Side of the Box and Remove Foam End Caps.....	63
4-9.	Lifting the Laser.....	64
4-10.	Removing the User Documents and Eyebolts.....	66
4-11.	Eyebolts Installed in Laser System.....	67
4-12.	J-3 Series System Installation in OEM Equipment.....	68
4-13.	J-3 Series System Service Access.....	69
4-14.	Vertical and Side Mounting Eyebolt Positions.....	71
4-15.	Vertical Mounting Illustration.....	72
4-16.	J-3 Series Laser Head Connections.....	74
4-17.	+48 VDC Location and Using Two Wrenches.....	76
4-18.	Alternate DC Return Connection Location.....	77
4-19.	Grounding of J-3 Series Laser RF Module.....	78
5-1.	J-3 Series Laser Electrical Interfaces.....	79
5-2.	Types of J-3 Series Faults.....	81
5-3.	Real Time I/O Input Circuit for Laser Operation.....	84
5-4.	Typical Drive Circuit for Real Time Control.....	85
5-5.	Single-Ended Driver Circuit.....	86
5-6.	Real Time Control and Status Interface Schematic.....	87
5-7.	Typical Monitoring Circuit Example Status Monitor (Real Time I/O Control and Status Interface).....	89
5-8.	Diamond Remote Control.....	90
5-9.	RF Amplifier Output Signals - Normal Operating Conditions.....	93
5-10.	RF Amplifier Output Signals - VSWR Fault for a 60% Duty Cycle Limit Example.....	94

5-11. RF Amplifier Output Signals - Duty Cycle Fault for a 60% Duty Cycle Limit
(See Datasheet for Model Specific Duty Cycle Limit)95

5-12. System Interlock Circuit99

List of Tables

3-1. Configuration and Facility Requirements 34

4-1. Preinstallation Checklist 40

4-2. Recommended Coolant for J-3 Series Lasers 46

4-3. Propylene Glycol-Based Heat Transfer Fluids for J-3 Series Lasers 49

4-4. Ethylene Glycol-Based Heat Transfer Fluids for J-3 Series Lasers 49

4-5. Parts and Equipment Required for Installation 60

4-6. J-3 Series Laser Head Connections 74

5-1. J-3 Series Laser Electrical Interfaces 80

5-2. J-3 Series Status and Control Details 80

5-3. Real Time Control and Status Interface 82

5-4. Real Time Control and Status I/O Pinouts 82

5-5. Examples of Line Drivers Meeting RS-422A 85

5-6. Examples of Line Receivers Meeting RS-422A 89

5-7. Extended Interface Signal Descriptions 97

5-8. Extended Interface Pin Descriptions 98

1 Introduction

1.1 Signal Words and Symbols in This Manual

This documentation may contain sections in which particular hazards are defined or special attention is drawn to particular conditions. These sections are indicated with signal words in accordance with ANSI Z-535.6 and safety symbols (pictorial hazard alerts) in accordance with ANSI Z-535.3 and ISO 7010.

1.1.1 Signal Words

Four signal words are used in this documentation: **DANGER**, **WARNING**, **CAUTION**, and **NOTICE**.

The signal words **DANGER**, **WARNING**, and **CAUTION** designate the degree or level of hazard when there is the risk of injury:

DANGER!

Indicates a hazardous situation that, if not avoided, will result in death or serious injury. This signal word is to be limited to the most extreme situations.

WARNING!

Indicates a hazardous situation that, if not avoided, could result in death or serious injury.

CAUTION!

Indicates a hazardous situation that, if not avoided, could result in minor or moderate injury.

The signal word "**NOTICE**" is used when there is the risk of property damage:

NOTICE

Indicates information considered important, but not hazard-related.

Messages relating to hazards that could result in both personal injury and property damage are considered safety messages and not property damage messages.

1.1.2

Symbols

The signal words **DANGER**, **WARNING**, and **CAUTION** are always emphasized with a safety symbol that indicates a special hazard, regardless of the hazard level:



This symbol is intended to alert the operator to the presence of additional information.



This symbol is intended to alert the operator to the presence of important operating and maintenance instructions.



This symbol is intended to alert the operator to the danger of exposure to hazardous visible and invisible laser radiation.



This symbol is intended to alert the operator to the presence of dangerous voltages within the product enclosure that may be of sufficient magnitude to constitute a risk of electric shock.



This symbol is intended to alert the operator to the danger of Electro-Static Discharge (ESD) susceptibility.



This symbol is intended to alert the operator to the danger of crushing injury.



This symbol is intended to alert the operator to the danger of a lifting hazard.

1.2

Preface

This is the preinstallation manual for the Diamond J-3 Series OEM/Industrial laser manufactured by Coherent. These lasers are OEM systems; they are designed as components which are to be inserted by the original equipment manufacturer (OEM) prior to delivery to the end user. Coherent requires that the user read "Laser Safety" (p. 9), before operating the laser.



NOTICE

Read this manual carefully before operating the laser for the first time. Failure to follow the instructions and safety precautions in this manual can result in serious injury or death. Special attention must be given to the material in "Laser Safety" (p. 9), that describes the safety features built into the laser. Keep this manual with the product and in a safe location for future reference.



DANGER!

Use of controls or adjustments or performance of procedures other than those specified herein may result in hazardous radiation exposure.

1.3 Export Control Laws Compliance

It is the policy of Coherent to comply strictly with U.S. export control laws.

Export and re-export of lasers manufactured by Coherent are subject to U.S. Export Administration Regulations, which are administered by the Commerce Department. In addition, shipments of certain components are regulated by the State Department under the International Traffic in Arms Regulations.

The applicable restrictions vary depending on the specific product involved and its destination. In some cases, U.S. law requires that U.S. Government approval be obtained prior to resale, export or re-export of certain articles. When there is uncertainty about the obligations imposed by U.S. law, clarification must be obtained from Coherent or an appropriate U.S. Government agency.

Products manufactured in the European Union, Singapore, Malaysia, Thailand: These commodities, technology, or software are subject to local export regulations and local laws. Diversion contrary to local law is prohibited. The use, sale, re-export, or re-transfer directly or indirectly in any prohibited activities are strictly prohibited.

1.4 Notice Concerning Regulatory Status of Diamond Series Lasers

This laser component does not include all safety features that are required by the United States Food and Drug Administration (FDA), Center for Devices and Radiological Health (CDRH) in laser systems sold to end users. It is sold solely to qualified manufacturers who in their end product, supply interlocks, indicators, and other required safety features, in full compliance with 21 CFR 1040, Subchapter J and/or other applicable national and local regulations.

1.5 Notice Concerning Warranty

Operation or handling of this laser component, inconsistent with this manual, may void the warranty.

1.6 The Preinstallation Manual

This preinstallation manual is designed to familiarize the user with the J-3 Series laser system and its designated use. It contains important information on how to install the laser system safely, properly, and most efficiently. Observing these instructions helps to avoid danger, reduce repair costs, and downtimes and increase the reliability and lifetime of the laser system.

This manual describes the physical hazards related to the laser system, the means of protection against these hazards, and the safety features incorporated in the design of the laser system.

1.6.1 Intended Audience

The preinstallation manual is intended for all persons that are to work on or with the laser system.

1.6.2 Numbering of Sections, Pages, and Instructions

The sections are numbered continuously. The name of the section appears in the upper outside corner of every odd page. Each section ends with an even page number. Consequently, certain even pages at the ends of sections will be intentionally left blank.

The pages of this manual are numbered continuously by section. The page number appears in the bottom center of every page.

Each step within a procedure is sequentially numbered. Each procedure starts with the step number one.

1.6.3 Cited Standards

Unless otherwise stated, all technical standards cited in this manual relate to the latest version of the standard that is applicable at the date of the publication of this manual.

This information is in compliance with the Performance Standards for Laser Products, 'United States Code of Federal Regulations, 21 CFR 1040.10(d). In many cases, the international standards (ISO and IEC standards) have been adopted wholly or in part by national or regional standards authorities and are known locally under the designation assigned by this authority. For instance, the IEC 60825-1 has been adopted by the European Committee for Standardization as the standard EN 60825-1 and, in turn, by various national standards authorities as standards such as DIN EN 60825 (Germany) and BS EN 60825 (United Kingdom). The exact content, number and revision date of the national standard may, however, vary from that of the corresponding international standard. For further information, contact the publisher of the respective national standard.

1.7 Laser Terminology

ISO 11145 ("Optics and Optical Instruments - Lasers and Laser Related Equipment - Vocabulary and Symbols") contains a list of laser terminology.

To prevent misunderstandings, the J-3 Series documentation strictly differentiates between "laser" and "laser system". Thus "start laser system" means that the power is off and shall be turned on. To "start the laser" means to switch on the laser beam and start laser operation.

Laser	Consists of an amplifying medium capable of emitting coherent radiation by means of stimulated emission.
Laser System	A laser, where the radiation is generated, together with essential additional facilities that are necessary to operate the laser (e.g. cooling, power, and gas supply).

In addition to the terminology used by ISO 11145, IEC 60825-1 uses the term "laser product". This term relates to any product or assembly of components which constitutes or is intended to incorporate a laser. In other words, the term "laser product" can be used in conjunction with any of the definitions contained in ISO 11145.

1.8 Units of Measurements

In this manual, units of measurement are used according to the metric system (international system of units (SI)), e.g. meter, millimeter, square meter, cubic meter, liter, kilogram, bar, pascal; and imperial system, e.g. tons, pounds, and ounces; gallons and quarts; miles, yards, feet, and inch.

Temperatures are primarily indicated in degrees Celsius (°C) and Fahrenheit (°F).

The water hardness is indicated in parts per million (ppm; American Hardness).

1.9 Feedback Regarding Documentation

If there are any comments regarding the documentation provided, contact the Coherent Documentation Department.

In any correspondence, provide the following:

- the document part number, revision, and date of issue,
- the section number, page number and, where applicable, the procedure step number,
- a description of any errors,
- a proposal for improvements.

1.9.1 Feedback Email Address

Email documentation.support@coherent.com

2 Laser Safety



This user information is in compliance with the following standards for Light-Emitting Products IEC 60825-1 / EN 60825-1 “*Safety of laser products - Part 1: Equipment classification and requirements*” and CDRH 21 CFR Title 21 Chapter 1, Subchapter J, Part 1040 “*Performance standards for light-emitting products*”.



WARNING!

LASER RADIATION - AVOID EYE OR SKIN EXPOSURE TO DIRECT OR SCATTERED RADIATION CLASS 4 LASER PRODUCT!



WARNING!

Use of controls or adjustments or performance of procedures other than those specified herein may result in hazardous radiation exposure.

This laser safety section must be reviewed thoroughly prior to operating the J-3 Series laser system. Safety instructions presented throughout this manual must be followed carefully.

2.1 Hazards

Hazards associated with lasers generally fall into the following categories:

- Biological hazards from exposure to laser radiation that may damage the eyes or skin
- Electrical hazards generated in the laser power supply or associated circuits
- Chemical hazards resulting from contact of the laser beam with volatile or flammable substances, or released as a result of laser material processing

The above list is not intended to be exhaustive. Anyone operating the laser must consider the interaction of the laser system with its specific working environment to identify potential hazards.

2.1.1 Optical Safety

Laser light, because of its optical qualities, poses safety hazards not associated with light from conventional light sources. The safe use of lasers requires all operators, and everyone near the laser system, to be aware of the dangers involved. Users must be familiar with the instrument and the properties of coherent, intense beams of light.

The safety precautions listed below are to be read and observed by anyone working with or near the laser. At all times, ensure that all personnel who operate, maintain or service the laser are protected from accidental or unnecessary exposure to laser radiation exceeding the accessible emission limits defined in the laser safety standards.



WARNING!

Direct eye contact with the output beam from the laser may cause serious eye injury and possible blindness.

The greatest concern when using a laser is eye safety. In addition to the main beam, there are often many smaller beams present at various angles near the laser system. These beams are formed by specular reflections of the main beam at polished surfaces such as lenses or beamsplitters. While weaker than the main beam, such beams may still be sufficiently intense to cause eye damage.

Laser beams are powerful enough to burn skin, clothing, or combustible materials, even at some distance. They can ignite volatile substances such as alcohol, gasoline, ether, and other solvents, and can damage light-sensitive elements in video cameras, photomultipliers, and photodiodes. The user is advised to follow the control measures below.

2.1.1.1 Recommended Precautions and Guidelines

1. Observe all safety precautions in the preinstallation and operator's manuals.
2. Always wear appropriate eyewear for protection against the specific wavelengths and laser energy being generated. See "Laser Safety Eyewear" (p. 11) for additional information.
3. Avoid wearing watches, jewelry, or other objects that may reflect or scatter the laser beam.
4. Stay aware of the laser beam path, particularly when external optics are used to steer the beam.
5. Provide enclosures for beam paths whenever possible.

6. Block the beam before applying tools such as Allen wrenches or ball drivers to external optics.
7. Limit access to the laser to trained and qualified users who are familiar with laser safety practices. When not in use, lasers should be shut down completely and made off-limits to unauthorized personnel.
8. Terminate the laser beam with a light-absorbing material. Laser light can remain collimated over long distances and therefore presents a potential hazard if not confined. It is good practice to operate the laser in an enclosed room.
9. Post laser warning signs in the area of the laser beam to alert those present.
10. Exercise extreme caution when using solvents in the area of the laser.
11. Never look directly into the laser light source or at scattered laser light from any reflective surface, even when wearing laser safety eyewear. Never sight down the beam.
12. Set up the laser so that the beam height is either well below or well above eye level.
13. Avoid direct exposure to the laser light. Laser beams can easily cause flesh burns or ignite clothing.
14. Advise all those working with or near the laser of these precautions.

2.1.1.2

Laser Safety Eyewear

Always wear appropriate laser safety eyewear for protection against the specific wavelengths and laser energy being generated. The appropriate eye protection can be calculated as defined in the “EN 207 Personal eye protection equipment - Filters and eye-protectors against laser radiation (laser eye-protectors)”, in other national or international standards (e.g. ANSI, ACGIH, or OSHA) or as defined in national safety requirements. Anyone working with or near the J-3 Series laser must wear laser safety eyewear with an OD rating 5 eye protection.



CAUTION!

Laser safety eyewear protects the user from accidental exposure to laser radiation by blocking light at the laser wavelengths. However, laser safety eyewear may also prevent the operator from seeing the beam or the beam spot. Exercise extreme caution even while wearing safety glasses.

2.1.2 Viewing Distance

The J-3 Series lasers produce optical power levels that are dangerous to the eyes and skin if exposed directly or indirectly. These products must be operated only with proper eye and skin protection at all times. Never view directly emitted or scattered radiation with unprotected eyes. When viewing the laser during operation, the operator must maintain the Nominal Ocular Hazard Distance (NOHD) between the laser or scattered radiation and the operator's eyes. Figure 2-1 summarizes the NOHD for the power range of the J-3 Series for direct viewing of the collimated beam along with two other common configurations. The NOHD in this figure is based on the Maximum Permissible Exposure (MPE = 0.1 W/cm²) level for each power condition as specified in ANSI Z136.1 and IEC 60825-1.

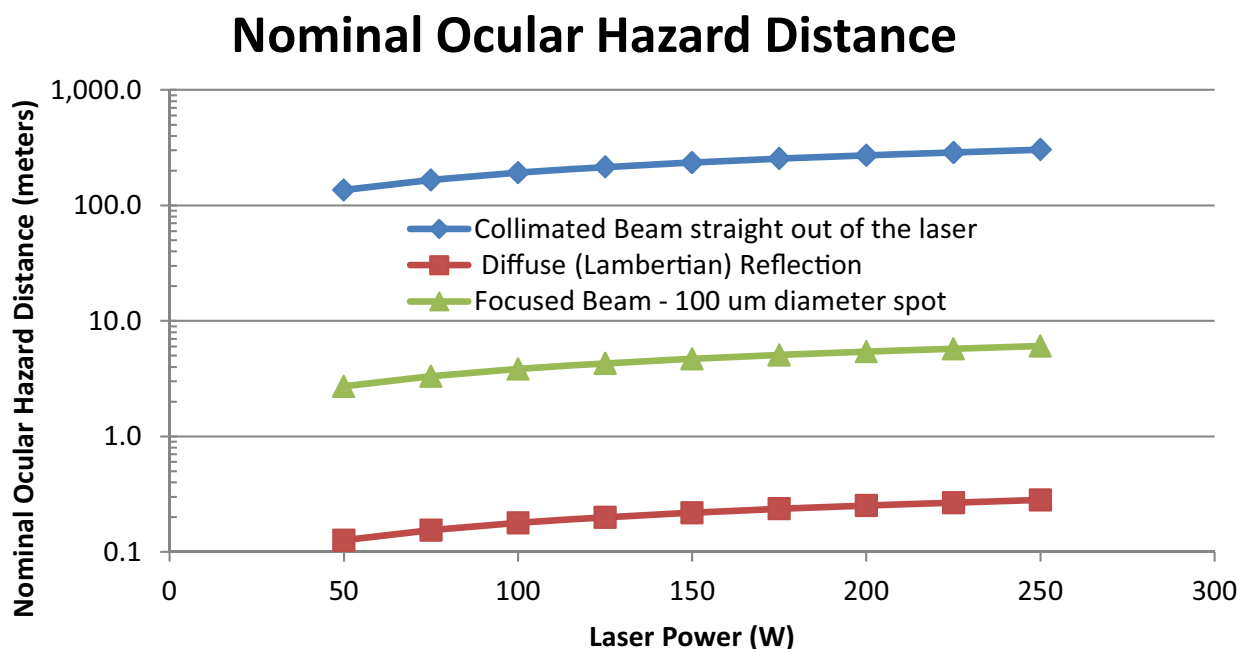


Figure 2-1. Nominal Ocular Hazard Distance (NOHD) for indicated conditions calculated per ANSI Z136.1 and IEC 60825-1

2.1.3 Electrical Safety

All J-3 Series laser systems, which consist of the laser head and the RF power module, require high current at + 48 VDC to operate. This voltage is sourced from commercially available power supplies from various manufacturers. The typical input voltage to these power supplies is 208 or 480 VAC. These voltages can be lethal. Every portion of the electrical system should be treated as if it is at a dangerous voltage level.

High RF power levels are present in the RF power module compartment and laser resonator compartment when the power is on. There is no RF radiation exposure hazard to personnel so long as all protective covers are not removed.



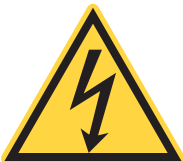
DANGER!

Normal operation of the J-3 Series should not require access to the power supply circuitry. Removing the power supply cover will expose the user to potentially lethal electrical hazards. Contact an authorized service representative before attempting to correct any problem with the power supply.

2.1.3.1

Recommended Precautions and Guidelines

The following precautions must be observed by everyone when working with potentially hazardous electrical circuitry:



DANGER!

When working with electrical power systems, the rules for electrical safety must be strictly followed. Failure to do so could result in the exposure to lethal levels of electricity.

1. Disconnect main power lines before working on any electrical equipment when it is not necessary for the equipment to be operating.
2. Do not short or ground the power supply output. Protection against possible hazards requires proper connection of the ground terminal on the power cable, and an adequate external ground. Check these connections at the time of installation, and periodically thereafter.
3. Never work on electrical equipment unless there is another person nearby who is familiar with the operation and hazards of the equipment, and who is competent to administer first aid.
4. When possible, keep one hand away from the equipment to reduce the danger of current flowing through the body if a live circuit is touched accidentally.
5. Always use approved, insulated tools.

2.2 Safety Features and Compliance with Government Requirements

The following features are incorporated into the instrument to conform to several government requirements:

United States of America:

The applicable United States Government requirements are contained in 21 CFR, Subchapter J, Part 1040 administered by the Center for Devices and Radiological Health (CDRH).

Integrators who incorporate a J-3 Series laser into other products that they introduce into United States commerce are defined in the law as manufacturers who are thus required to manufacture their products to conform to the Federal standard, certify them, and submit product reports to the CDRH.

For jurisdictions outside of the United States, it is the responsibility of the buyer of this laser device to ensure that it meets the local laser safety requirements.

Europe:

The European Community requirements for product safety are specified in the Low Voltage Directive (LVD) (published in 2014/35/EU). The Low Voltage Directive requires that lasers comply with the standard EN 61010-1/IEC 61010-1 "Safety Requirements For Electrical Equipment For Measurement, Control and Laboratory Use" and EN 60825-1/IEC 60825-1 "Safety of Laser Products". Compliance of this laser with the European requirements is certified by the CE mark.

United Kingdom (England, Wales, and Scotland):

The United Kingdom requirements for product safety are specified in the Electrical Equipment (Safety) Regulations 2016 (published in SI 2016/1101). The Electrical Equipment (Safety) regulations requires that lasers comply with the standard EN 61010-1/IEC 61010-1 "Safety Requirements for Electrical Equipment for Measurement, Control, and Laboratory Use" and EN 60825-1/IEC 60825-1 "Safety of Laser Products". Compliance of this laser with the United Kingdom requirements is certified by the UKCA mark.

2.2.1 Laser Classification

Governmental standards and requirements specify that the laser must be classified according to the output power or energy and the laser wavelength. The J-3 Series is classified as Class 4 based on 21 CFR, Subchapter J, Part 1040, section 1040.10 (c) and/or IEC/EN 60825-1;2007, Clause 8 and IEC/EN 60825-1:2014, Clause 4. In this manual, the classification will be referred to as Class 4.

2.2.2 Protective Housing

The laser head is enclosed in a protective housing that prevents human access to radiation in excess of the limits of Class radiation as specified in the 21CFR, Part 1040 Section 1040.10 (f)(1) and EN 60825-1/ IEC 60825-1 Clause 6.2 except for the output beam, which is Class 4.

2.2.3 Protective Covers (Safety Interlocks)

The laser's protective covers are not interlocked and should only be removed by trained service technicians.



WARNING!

Use of controls or adjustments, or performance of procedures other than those specified herein, may result in hazardous radiation exposure.



DANGER!

To avoid potentially fatal electrical shock hazards from electrical equipment, follow all applicable electrical codes such as (in the U.S.) the National Electrical Code.

2.3 Compliance to Standards Relevant to CE and UKCA Marks

The J-3 Series of lasers are OEM products, and are sold as components for integration into complete laser systems by a system integrator. These products are tested and marked as independent products in the European Community (CE) and the United Kingdom (UKCA). For specific details regarding what applicable compliance directives and standards the products have been tested to, refer to the EU Declaration of Conformity and/or the UKCA Declaration of Conformity which are available upon request from Coherent, per contact information on p. ii of this manual.

Compliance to applicable standards for a particular laser tool incorporating J-3 Series must be demonstrated by the manufacturer of the complete system. The primary issue for the system integrator is to design covers, shielding, grounding, routing of electrical cable assemblies, and control elements with the proper safety features so that during subsequent testing the system meets the appropriate standards.

2.4 Environmental Compliance

This section describes compliance with various environmental regulator directives to identify hazardous substances.

2.4.1 Electromagnetic Compatibility

Compliance of this laser with the Electromagnetic Compatibility (EMC) requirements is certified by the CE mark and the UKCA mark. For more information about the CE/UKCA marks see “Compliance to Standards Relevant to CE and UKCA Marks” (p. 16).

Each application and installation is unique, and in some cases, the user may experience Electromagnetic Interference (EMI) noise being emitted from various electronic components. This laser uses high-frequency RF (100 MHz). While adequate countermeasures have been taken to suppress this emission to meet the requirements stated on the Declaration of Conformity, the user may wish to employ additional measures to suppress the EMI to reduce the emissions further. Standard methods of reducing the EMI are:

1. Use of shielded control cables grounded on both ends
2. Addition of appropriate ferrite beads to cables connected to the beam source

2.4.2 RoHS Compliance

Coherent product(s) conform to all applicable requirements of the EU-RoHS Directive (2011/65/EU) and subsequent Amendment Directives including Directive (EU) 2015/863. Compliance Declarations are available upon request.

2.4.3 China RoHS Compliance

Coherent product(s) conform to all applicable requirements of Restriction of Hazardous Substances Regulation SJ/T 11364-2014 commonly referred to as China-RoHS.

The China RoHS Hazardous Substance Marking Table is located in the shipping document packet shipped with the product (or laser system).

2.4.4 REACH Compliance

Coherent product(s) conform to all applicable requirements of the EU-REACH Regulation, (1907/2006). Compliance Declarations are available upon request.

2.4.5 Waste Electrical and Electronic Equipment

Coherent product(s) conform to all applicable requirements of the EU Waste Electrical and Electronic Equipment (WEEE)- Directive (2012/19/EU). WEEE management also covers EU Directive 2006/66/EC-EU Battery Directive and Directive 94/62/EC on Packaging and Packaging Waste. Do not dispose of these products or packaging as unsorted municipal waste.

Coherent joins approved compliance organizations to meet its collection and recycling obligations. For further information, please contact:

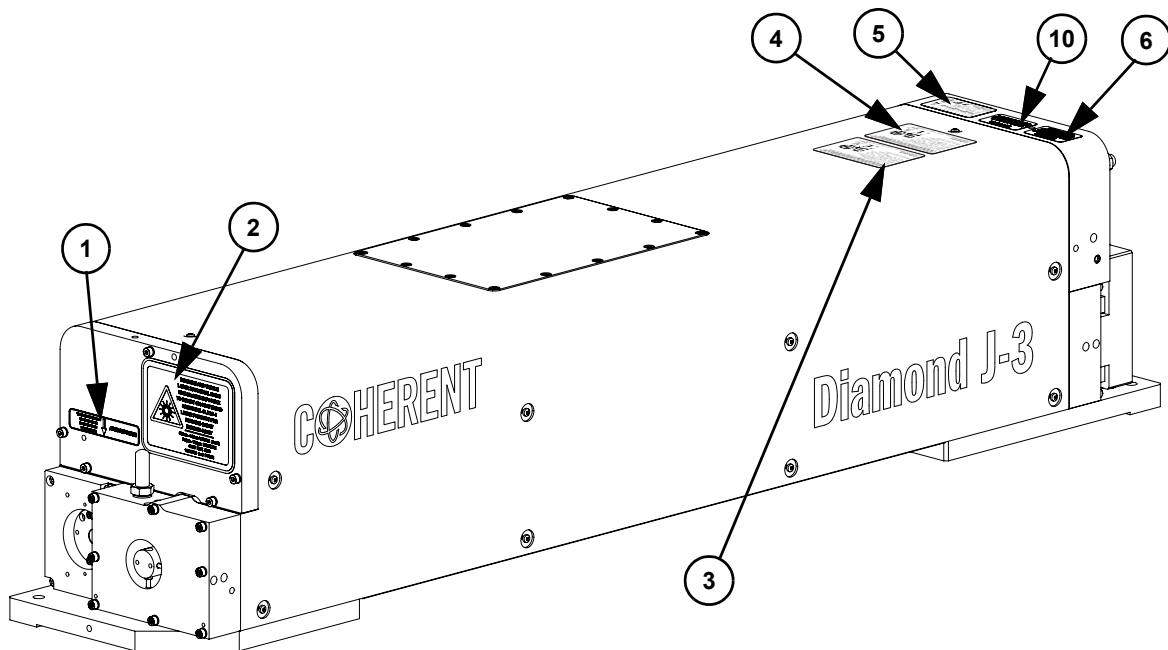
Email: info@rene-europe.com

Phone: +49 89 490 491 00

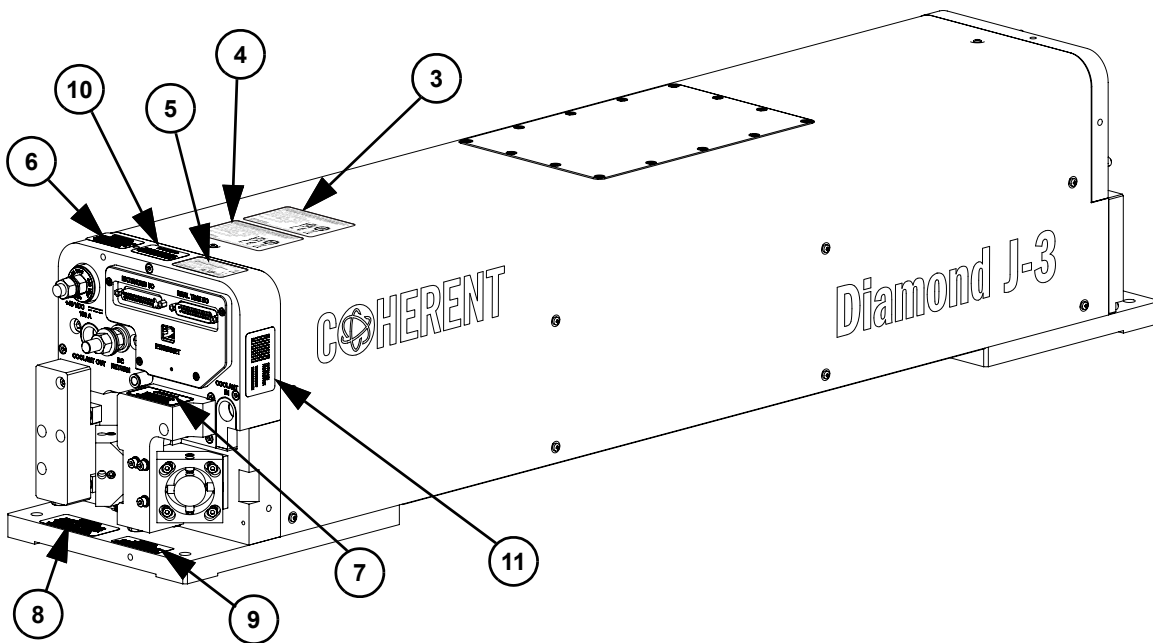
Website: www.rene-europe.com

2.5 Location of Safety Labels

Refer to Figure 2-2 and Figure 2-3 for a description and location of all required safety labels. These include warning labels indicating removable or displaceable protective housings, apertures through which laser radiation is emitted, and labels of certification and identification [21 CFR § 1040.10(g), 21 CFR § 1010.2, and 21 CFR § 1010.3/EN 60825-1/IEC 60825-1, Clause 7].

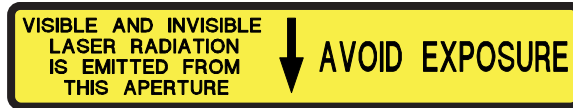


a. Output End

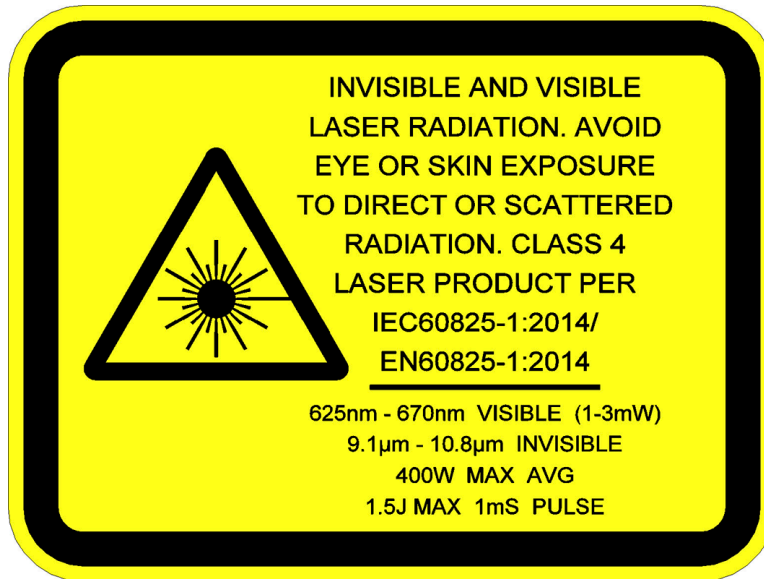


b. Interface End

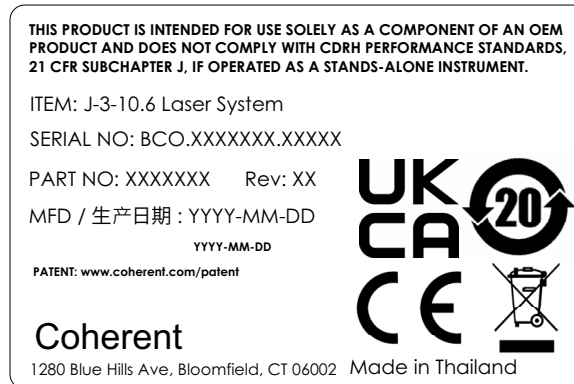
Figure 2-2. Label Placement



1 – Avoid Exposure Label



2 – Laser Classification Label

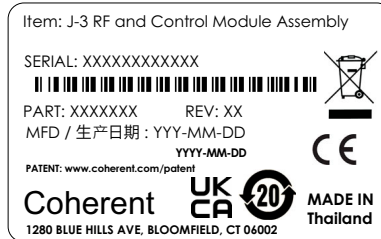


3 – J-3 Series Laser System Compliance Label
(J-3-10.6 shown as example)

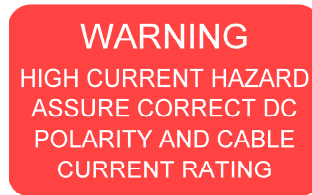
Figure 2-3. Labels



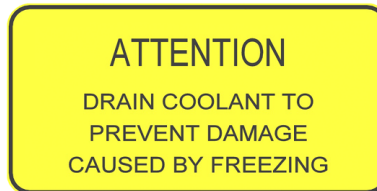
4 - J-3 Series Laser Head Identification Label (J-3-10.6 shown as example)



5 - J-3 RF Identification Label

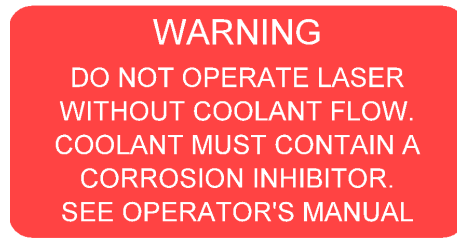


6 – High Current Hazard Warning Label



7 – Drainage Warning Label

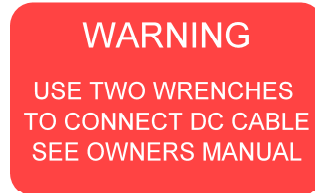
Figure 2-3. Labels



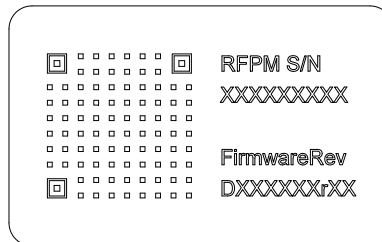
8 – Coolant Requirement Warning Label



9 – Tipping Warning Label



10 – Use Two Wrenches Warning Label



11 – Firmware Label

Figure 2-3. Labels

2.6 Sources of Additional Information

The following are sources for additional information on laser safety standards and safety equipment and training.

2.6.1 Laser Safety Standard

American National Standard for Safe Use of Lasers
ANSI Z136 Series
American National Standards Institute (ANSI)
www.ansi.org

Performance standards for light-emitting products
21 CFR Title 21 Chapter 1, Subchapter J, Part 1040
U.S. Food and Drug Administration
www.fda.gov

2.6.2 Publications and Guidelines

Safety of laser products - Part 1: Equipment classification and requirements
IEC 60825-1

Safety of laser products - Part 14: A user's guide
IEC 60825-1

Safety Requirements For Electrical Equipment For Measurement, Control and Laboratory Use
IEC 61010-1 / EN 61010-1

International Electrotechnical Commission (IEC)
www.iec.ch

Safety of laser products - Part 1: Equipment classification and requirements
BS EN 60825-1
British Standard Institute
www.bsigroup.com

A Guide for Control of Laser Hazards
American Conference of Governmental
and Industrial Hygienists (ACGIH)
www.acgih.org

Laser Safety Guide
Laser Institute of America
www.lia.org

2.6.3 Equipment and Training

Coherent Web Site
Laser Safety Page, Laser Safety Awareness Training Video
www.coherent.com

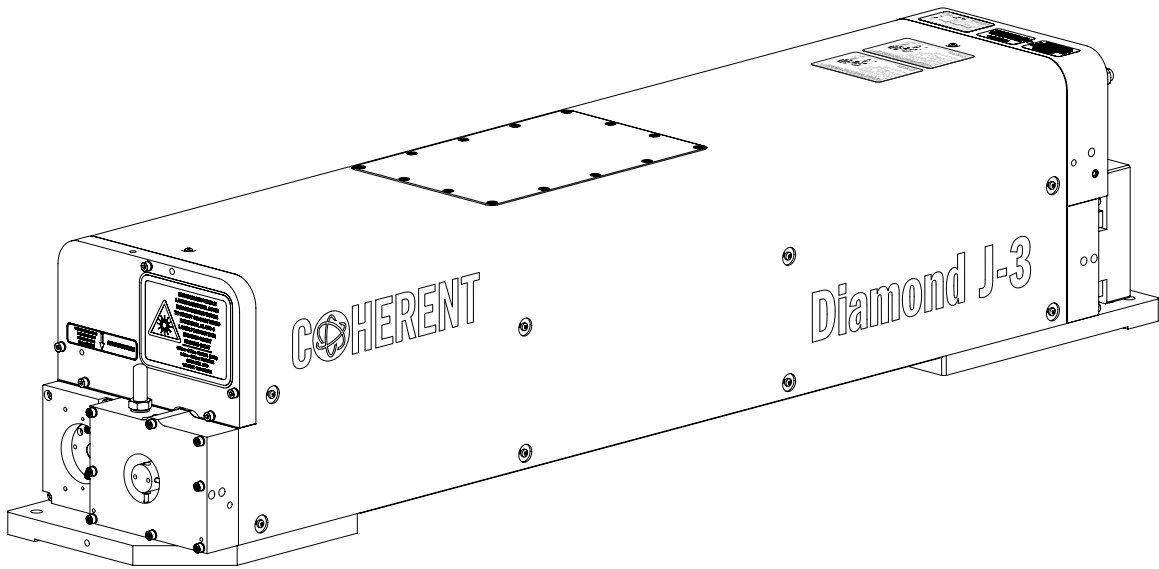
3 System Description

3.1 Introduction

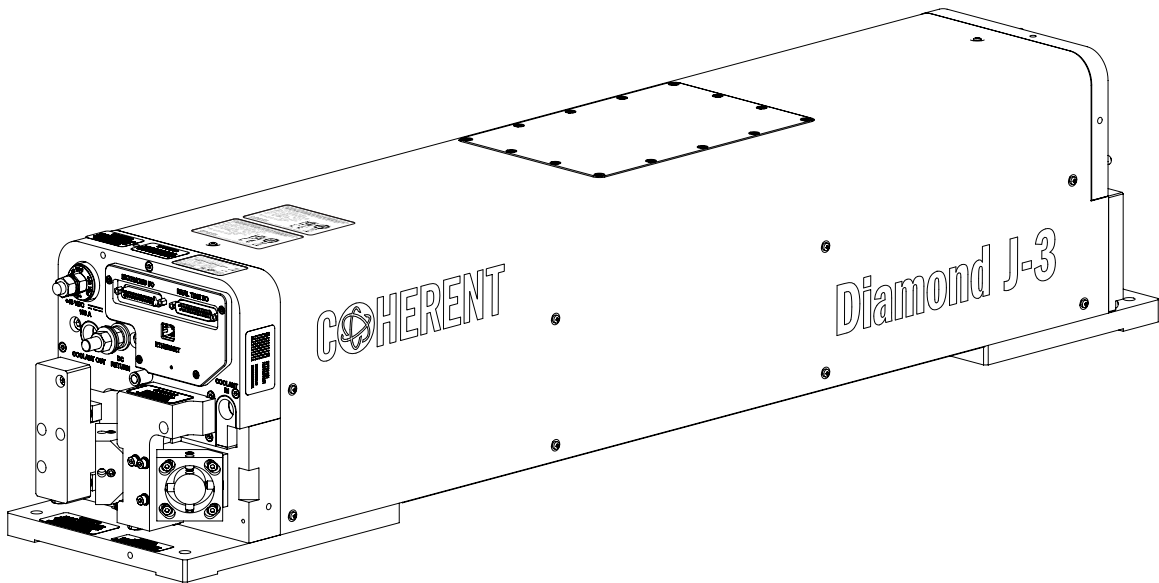
The J-3 Series laser systems (Figure 3-1) are integrated, RF excited, liquid-cooled, sealed-tube, pulsed industrial CO₂ lasers and consist of a single housing incorporating the laser resonator and beam conditioning optics, RF power module, and control/diagnostics module. These integrated systems operate on + 48 VDC at high currents; therefore a DC power supply is required. To remove waste heat from the laser system, external liquid cooling is essential. A continuous supply of clean, dry purge gas to the laser system is needed to prevent condensation and reduce contamination on optical surfaces. Internal control electronics act on external signals to vary pulse frequency and duty cycle while monitoring laser performance and safety circuits.

The laser system can be equipped with an optional shutter/red pointer beam which in the closed state blocks the primary laser beam and replaces it with a low power red pointer beam.

A simplified laser system block diagram is shown in Figure 3-2 on page 27.



a. Output End Isometric View



b. Interface End Isometric View

Figure 3-1. J-3 Series Laser

3.2 Purpose of This Manual

This manual is designed to assist the Original Equipment Manufacturer (OEM) during the integration of any J-3 Series laser. It contains information on the performance and operation of the laser as well as installation and control methods. This OEM manual is intended to be used by trained staff during the process of integration into a laser tool.

3.3 J-3 Series Lasers

All J-3 Series lasers are compatible with the generation of a wide range of amplitude modulation formats that include pulsed as well as quasi-continuous wave modes. This allows the user complete control of the laser's output temporal characteristics. Because the control circuitry monitors the applied signal to assure the laser is operated within safe duty cycle limits, the user does not need to be concerned that the applied control signals will damage the laser.

All J-3 Series lasers are equipped with a powerful embedded diagnostic system that is useful in providing onboard diagnostics (setup and troubleshooting) as well as fault isolation. Laser data is accessible using a standard LAN connection via HTML protocol. A detailed description of the embedded diagnostics is available in "Embedded Diagnostics & Fault Matrix" (p. 125). A simplified laser system block diagram is shown in Figure 3-2.

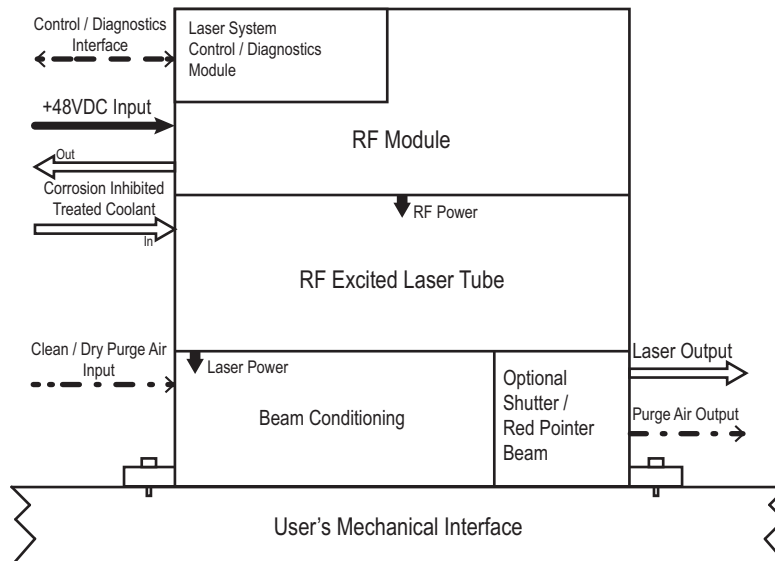


Figure 3-2. Simplified System Block Diagram

3.4 Laser System Components

The J-3 Series laser housing contains the laser resonator in a vacuum sealed compartment, RF power module along with the RF matching network in a second compartment, and the beam conditioning optics and optional shutter module in a third compartment. A removable controls/diagnostic module is integrated into the front panel of the RF power module. A U-shaped housing cover serves both to improve the laser's appearance as well as to provide a protective cover over the beam conditioning optics compartment (Figure 3-3). The laser system was designed to enable removal of the RF power module with only access from the top and service end of the laser system.

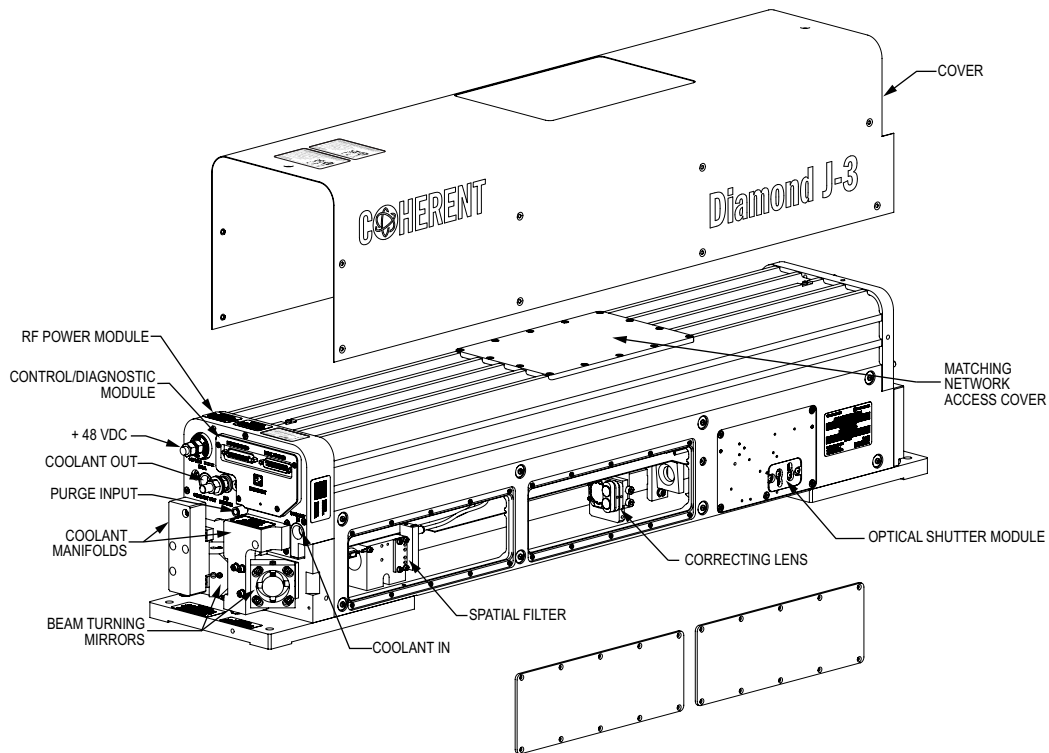


Figure 3-3. J-3 Series Laser - Component Placement Diagram



NOTICE

The laser system incorporates a sealed laser resonator assembly compartment, which by design requires no laser gas exchange or periodic refill for operation.

The all metal construction of the laser head provides high thermal stability and resistance to damage due to shock and/or vibration.

3.4.1 Laser Resonator

The resonator assembly consists of a two-mirror optical cavity with fluid-cooled rectangular shaped (slab design) electrodes extending the length of the resonator compartment. An RF matching network is mounted on top of the resonator compartment within the RF power module compartment and coils attached to the electrodes are positioned to create a uniform distribution of RF energy along the electrodes (see Figure 3-4).

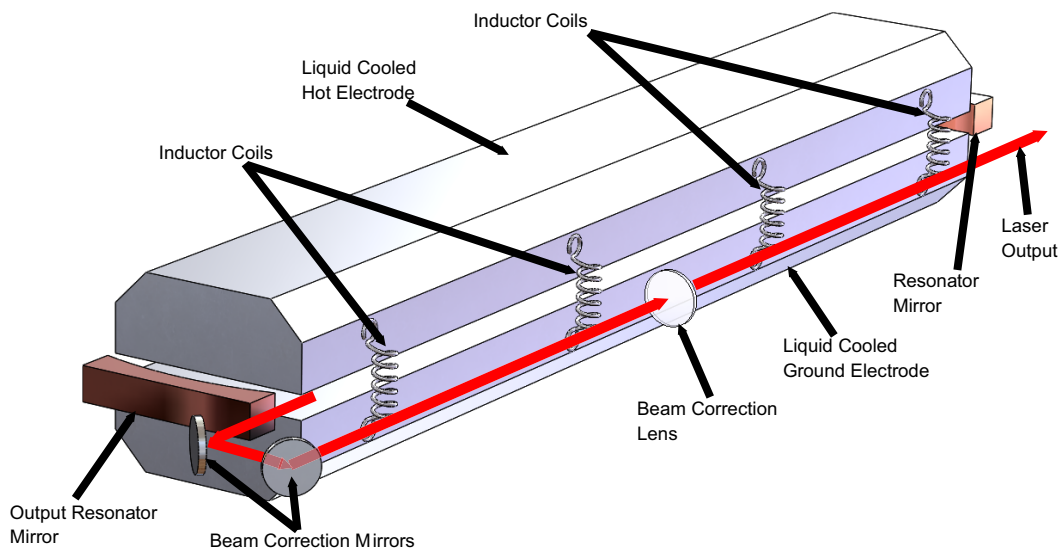


Figure 3-4. Laser Resonator Assembly

One of the 100% reflecting end mirrors partially covers the electrode area. The gap at the end of the mirror forms the output path for the laser beam. The beam exiting in this gap passes through a zinc selenide sealing window at the output end of the tube.

3.4.2 Optics

The resonator optics are within the sealed compartment and require no maintenance or alignment. Upon exiting the laser cavity, the asymmetrical laser beam (wide in one transverse beam axis and narrow in the orthogonal beam axis) propagates through an output window and on through a series of precision aligned optical components. These components serve to create a circular symmetrical propagating optical beam. As the beam is corrected for symmetry, it is also focused through a narrow set of knife edges. These knife edges are set wide enough to allow the main lobe of radiation to pass, but also strip off unwanted side-lobe energy. Finally, the beam passes through further precision aligned optical components which nominally collimates the beam for minimum divergence, then to an optional shutter assembly before it exits the laser system aperture.

3.4.3 Shutter Module with Diode Pointer (Optional)

The optional shutter module with diode pointer has been designed specifically for the J-3 Series lasers. It is integrated into the optics compartment just before the output of the laser system. If this option is included, all the necessary electrical power, control, and cooling required to operate the shutter are factory installed. The shutter is controlled via signals applied to the auxiliary control connector on the control/diagnostic module (See “Control Interfaces” (p. 79) for details). The shutter is designed to terminate laser beam emission for user safety only and should not be used as a process shutter that requires rapid open and close cycles. When the shutter is closed, the laser beam is reflected off of the shutter blade into a liquid-cooled beam dump to terminate the beam. The blade is designed for fail-safe operation and is closed with the power off. While in safe mode, a low power red laser pointing diode replaces the high power beam. The red laser pointer beam is factory aligned with the main beam. The beam dump temperature is continuously monitored. A laser system temperature fault will occur if the beam dump temperature exceeds a safe operating level which could occur if there is no or low coolant flow to the beam dump.

Key shutter features include:

- Reliability = one million cycles minimum
- Fail-safe blade operation
- Gold-coated main reflecting blade
- Blade detection for open position.
- Blade detection for closed position.
- RTD temperature sensors on blade and beam dump

- Adjustable 635 nm diode pointer. (X-Y, tip-tilt)
 - Optical Output Power: 1.0 to 3.0 mW
 - Wavelength: 625 - 670 nm
 - Beam Diameter: 3 mm
 - Divergence: < 2 mrad

3.4.4 Simmer Circuit

The simmer circuit applies short duration RF pulses at a 1 kHz rate to the tube gas in order to promote rapid starting of the laser after periods of being turned off. Each pulse is terminated when the beginning of gas “breakdown” is detected. Breakdown marks the beginning of an active discharge in the gas, and occurs well before any light is emitted by the laser. Therefore, the simmer keeps the gas active (meaning that the laser can start quickly and repeatably) without itself causing lasing.

3.4.5 Control Electronics

The J-3 Series control electronics provide control, diagnostics, and fault management for the system. Primary control and diagnostics are provided through dedicated signal connections on the interface panel. The hardware interface circuitry is highly similar to the other Diamond OEM products. See “Control Interfaces” (p. 79) for a detailed interface description.

A secondary Ethernet interface is provided for diagnostics and troubleshooting. See “Embedded Diagnostics & Fault Matrix” (p. 125) for more information.

All J-3 Series lasers are equipped with a main controller as well as a microcontroller located in the RF module. Fault management is accomplished by the main controller using data from a variety of sensors as well as data collected by the RF module’s microcontroller which communicates with the main controller over a serial bus.

3.4.6 Laser Temperature Monitor

All J-3 Series lasers require water with a corrosion inhibitor additive as the cooling medium to remove heat from the laser head and RF power module. Temperature probes and circuits within the laser head and RF power module continuously monitor the laser temperature whenever the laser is on. If the internal laser temperature falls outside preset limits, the laser will not operate and will indicate a temperature fault condition. To prevent temperature faults, the customer must maintain proper coolant temperature and flow as specified in the utility requirements.



NOTICE

Failure to provide proper coolant temperature and flow to this laser will result in intermittent or halted operation.



NOTICE

Failure to provide the proper fluid flow and composition to this laser will void the warranty.

3.5 RF Power Module

The RF power module provides pulsed RF power to the laser head to energize the laser gas mixture in the tube. The laser output pulse (width and frequency) is based on an input modulation signal to the RF power module.

The RF power module should always be physically and electrically installed into the laser system housing. The RF module should never be removed and operated by the user. This is unsafe for the user and could damage the RF module.

The RF power module control circuitry also has the following features:

- Provides protection from duty cycles and pulse widths exceeding model specific values (see product data sheet located on the Coherent web site: www.coherent.com).
- Limits the pulse width to no more than 1 msec.
- Monitors forward and reflected RF power to and from the laser head.

- Contains a factory set VSWR limit (a ratio between two monitored voltages, representing efficient coupling of RF Energy) that limits duty cycle in case the laser fails to start.
- Provides a low power RF simmer pulse to ensure that the laser will start after long periods of being off.
- Contains embedded sensors which support fault isolation. Further description of this capability is found in "Embedded Diagnostics & Fault Matrix" (p. 125).

3.6 DC Power Supply

A high current 48 VDC power supply is the required power source for all J-3 Series laser systems.

Note that the laser presents a pulsed dynamic load to the DC power supply. To observe the effect of laser modulation on the DC power supply, connect an oscilloscope across the DC input terminals of the RF power module while applying modulation pulses to the laser.

Coherent has qualified air-cooled DC power supplies for use with the J-3 Series laser system. Refer to the installation instructions provided by the DC power supply manufacturer to determine the correct mounting, AC input power cord/wiring specifications, cooling requirements, connections, and controls.

It is the responsibility of the system integrator to provide AC input power wiring (electrical disconnect, circuit breaker/fusing, power cord, receptacles, and mating plugs). Consult a qualified electrician to select and install the appropriate components that meet local electrical codes.

The DC power supply output cables are a critical part of the overall system. Coherent can provide the DC output cables required to handle the high current requirement. Refer to Table 3-1 (p. 34).

3.7 Configuration & Facility Requirements

Table 3-1 provides configuration and facility requirements for the J-3 Series laser. Laser performance specifications for a specific J-3 Series laser model are provided in the data sheet available online at www.coherent.com and in the test report provided with each laser.

Table 3-1. Configuration and Facility Requirements

Parameter	Value
Laser Physical Characteristics	
Weight	45 kg (100 lbs.)
Dimensions (L x W x H)	1064 x 197 x 227 mm (41.89 x 8.94x 7.75 in.)
Environment (Operating)	
Altitude	≤ 2,000 m (≤ 6,500 ft.)
Relative Humidity ⁽¹⁾	≤ 95% non-condensing for inlet fluid temperature
Ambient Temperature	5 to 45°C (41 to 113°F)
Shock & Vibration	1 G static acceleration 0.2 G RMS vibration
Shipping/Storage Environment	
Temperature	- 10°C to 60°C (14°F to 140°F)
Humidity	< 95% non-condensing
Electrical	
DC Input Voltage	48 VDC ± 1.0%
Ripple Voltage	< ± 1% peak-to-peak
Maximum Voltage Sag During Peak Current	≤ 2.5 V from Starting Voltage
Line Regulation	≤ ± 1%
Load Regulation	≤ ± 1%
DC Continuous Current ⁽²⁾	≤ 100 A
Dynamic Peak Current	≤ 200 A peak for ≤ 6 ms

Table 3-1. Configuration and Facility Requirements (Continued)

Parameter	Value
Recommended DC Power Cables (2, 1 Red and 1 Black)	
DC Cable Length (each)	3 m (10 ft.)
DC Cable Wire Gauge (each)	42 mm ² (1/0 AWG)
Liquid Cooling	
Composition	Distilled or de-ionized water plus corrosion inhibitor
Flow Rate	≥ 5.7 lpm (≥ 1.5 gpm)
Heat Load ⁽³⁾	< 4.8 kW (< 16 kBtu/hr)
Maximum Static Pressure	827 kPa (120 psi)
Pressure Differential ⁽⁴⁾	103 kPa (15 psi) @ 5.7 lpm (1.5 gpm)
Set Temperature Range (at laser head coolant inlet)	21 to 25°C (69.8 to 77°F)
Temperature Variation about Set Temperature	± 1°C (± 1.8°F)
Laser Purge Gas	
Composition	N ₂ or Clean, Dry Air
Flow Rate	2.80 lpm
<p>The above specifications subject to change without notice.</p> <p>(1) Do not operate at or below dew point.</p> <p>(2) Current rating may vary with specific model.</p> <p>(3) If a closed-loop system is used, it must have sufficient capacity to handle this heat load in addition to meeting the other fluid requirements listed in this table.</p> <p>(4) Measured from system inlet to outlet ports and does not include the pressure drop from chiller fittings or the supply and return hose.</p>	

3.8 Laser Dimensional Drawings

The laser dimensions and required clearance are shown in Figure 3-5.

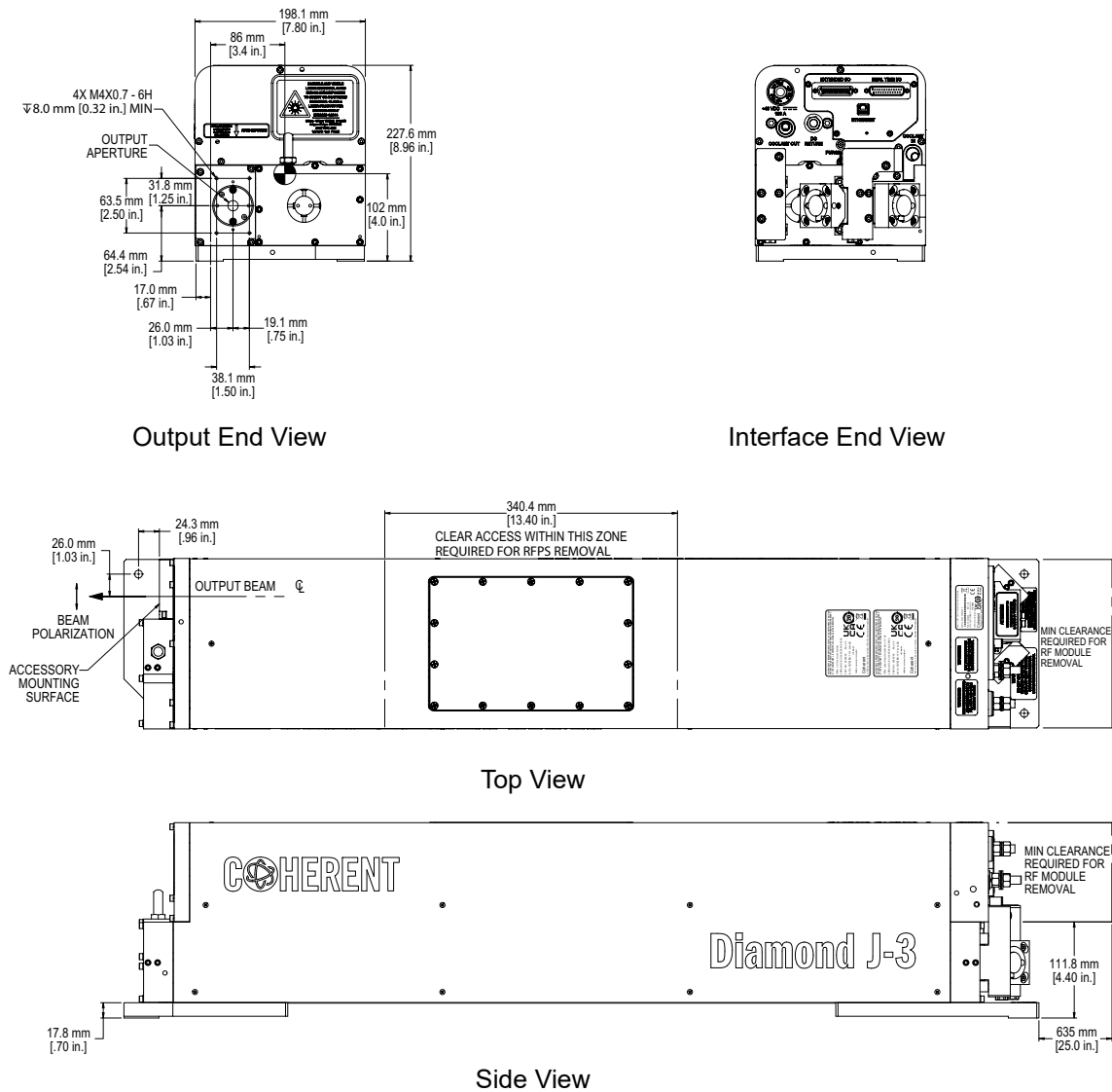


Figure 3-5. J-3 Series Dimensions (including clearance)

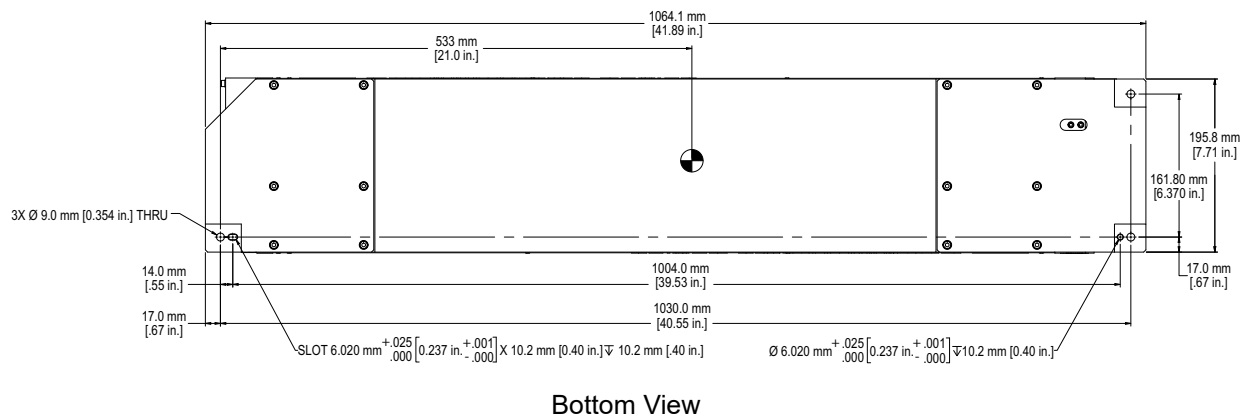


Figure 3-5. J-3 Series Dimensions (including clearance)



NOTICE

The clearance dimensions given for interface connections and service access are minimums. Increasing the clearance dimensions will provide ease of installation, troubleshooting, and service.

4 Utility Requirements and System Installation



NOTICE

Before installation, it is essential that the customer read this manual thoroughly. It is important that the user become familiar with all aspects of the installation and operation of the J-3 Series laser system, including and specifically the information contained in "Laser Safety" (p. 9).

4.1 Preinstallation Checklist

In order to perform a smooth integration of the laser system into a tool or installation at a customer site, it is necessary to prepare in advance. A preinstallation checklist outlining the general requirements is provided in Table 4-1.

Table 4-1. Preinstallation Checklist

Activity	General Requirements	Reference(s)
Confirm Laser Environment	<ul style="list-style-type: none"> <input type="checkbox"/> Temperature and Humidity in specification <input type="checkbox"/> Cleanliness <input type="checkbox"/> Vibration <input type="checkbox"/> Ventilated space 	<p>“Confirm Laser Environment” (p. 41)</p> <p>“Operation in Humid Environments” (p. 42)</p>
Receive and Inspect	<ul style="list-style-type: none"> <input type="checkbox"/> Area is clean and sufficiently large enough to uncrate laser <input type="checkbox"/> Forklift or pallet jack capable of moving the fully loaded crate (77 kg/170 lbs.) <input type="checkbox"/> Forklift or hoist capable of lifting the 45 kg (100 lbs.) laser off shipping pallet <input type="checkbox"/> Cart capable of moving 45 kg (100 lbs.) laser to installation area 	<p>“Receive and Inspect” (p. 43)</p> <p>“Unpacking and Inspection” (p. 61)</p>
Laser Installation Area	<ul style="list-style-type: none"> <input type="checkbox"/> Clear path to the installation site <input type="checkbox"/> Forklift or hoist capable of lifting the 45 kg (100 lbs.) laser plus lifting hardware into tool <input type="checkbox"/> Laser head mounting area prepared: able to support 45 kg (100 lbs.) laser system plus weight of cables, hoses, output aperture accessories, etc. <input type="checkbox"/> Service access provided <input type="checkbox"/> All connections reach laser head 	<p>“Laser Installation Area” (p. 44)</p> <p>“Mounting Laser System Components” (p. 68)</p>
Laser System Cooling	<ul style="list-style-type: none"> <input type="checkbox"/> Chiller installed and operational (loop test OK) <input type="checkbox"/> Coolant is a mixture of water and corrosion inhibitor <input type="checkbox"/> 30 µm particle filter installed at laser head inlet <input type="checkbox"/> Shut-off valves installed (optional, recommended) <input type="checkbox"/> 3/8” minimum ID hose between the laser system and chiller <input type="checkbox"/> Required flow rate, temperature set point and temperature stability capability verified 	<p>“Laser System Cooling” (p. 44)</p> <p>“Coolant Composition” (p. 46)</p> <p>Table 4-2 (p. 46)</p>
Laser System Purge Gas	<ul style="list-style-type: none"> <input type="checkbox"/> N₂ or filters installed to provide clean, dry air <input type="checkbox"/> Shut-off valve installed (optional, recommended) <input type="checkbox"/> Output fitting installed to accept 1/4” OD tubing <input type="checkbox"/> Clean, flexible 1/4” OD tubing to connect purge gas supply to laser head 	<p>“Laser System Purge Gas” (p. 52)</p> <p>Figure 4-4 on page 53</p>
DC Power Supply	<ul style="list-style-type: none"> <input type="checkbox"/> Rack w/shelf, bench or frame (mounting) prepared <input type="checkbox"/> Electrical circuit with circuit breaker/fuse and electrical disconnect ready <input type="checkbox"/> Mains input (electrical disconnect to power supply) power cable ready 	<p>OEM Product Literature (external document(s))</p> <p>“DC Power Supply” (p. 55)</p>

Table 4-1. Preinstallation Checklist (Continued)

Activity	General Requirements	Reference(s)
Beam Delivery System	<ul style="list-style-type: none"> <input type="checkbox"/> Beam delivery system purge gas ready <input type="checkbox"/> Optical Isolator installed (if cutting/marking reflective material) <input type="checkbox"/> External optical beam delivery system meets optical specifications 	<p>"Beam Delivery System" (p. 56)</p>
Laser Control, Measurement and Diagnostic	<ul style="list-style-type: none"> <input type="checkbox"/> If using a Coherent Diamond Remote Control, controller is available <input type="checkbox"/> If monitoring laser diagnostics with a personal computer via network cable, a computer Ethernet cable is required <input type="checkbox"/> For 3rd party controller, see OEM documentation <input type="checkbox"/> Interlocks installed <input type="checkbox"/> Suitable Power Meter and Detector Head available 	<p>"Laser Control, Measurement & Diagnostic" (p. 57) and "Control Interfaces" (p. 79)</p> <p>Diamond OEM/ Industrial Laser Remote Control Operator's Manual, part number 1235412 (external document)</p> <p>"Power Meters and Sensors" (p. 159) of "Accessories and Options" (p. 159) in the operator's manual.</p>
Laser Safety	<ul style="list-style-type: none"> <input type="checkbox"/> Laser Safety Officer (LSO) identified (recommended) <input type="checkbox"/> Laser Safety Training completed <input type="checkbox"/> Laser Controlled Area established <input type="checkbox"/> Personal Protective Equipment (laser safety eyewear) available 	<p>"Laser Safety" (p. 57)</p> <p>"Laser Safety" (p. 9)</p>

4.1.1 Confirm Laser Environment

The laser must be installed and operated in a temperature and humidity-controlled environment. The operating temperature must be 5 - 45°C (41 – 113°F). The humidity must be 5 – 95%, non-condensing, for the laser system coolant inlet temperature. Operating altitude must be < 2,000 m (6,500 ft.).

Additionally, the laser environment should be clean and free of air-borne particles, and mounted such that forces acting on the laser are ≤ 1 G static acceleration and ≤ 0.2 G RMS vibration.

Since the laser and/or associated beam delivery systems may be nitrogen purged and the cutting/marking processes generally create noxious fumes, make sure to provide adequate ventilation for all operators in the area.

4.1.1.1 Operation in Humid Environments

The cooling fluid of the J-3 Series lasers can condense moisture from the air when the temperature of the cooling fluid is at or below the dew point of the air.



NOTICE

The system must not operate in a condensing environment since this condition will lead to catastrophic failure in both the laser head and the RF power module. Doing so will void the warranty. It is the responsibility of the customer to ensure an J-3 Series laser system is never operated in a condensing environment. Failed laser heads and RF power supplies must be returned to the factory for repair.

Condensation may form on any component surface when the surface temperature is at or below the dew point of the air. The typical condition that leads to condensation is warm, humid weather combined with fluid that is cooler than the surroundings.

High risk conditions which are likely to lead to condensation are:

- Operating the laser in a room that is not air conditioned in high humidity environments
- Using cooling fluid that is not temperature controlled
- Leaving the cooling fluid system on for an extended period of time, when the laser is not operating

Risk of Condensation: The information required to determine if the cooling fluid temperature will lead to condensation is:

- Room temperature
- Relative humidity

Since weather conditions change, these factors need to be periodically checked especially in spring, summer, or wet seasons. In environments that are air conditioned, Coherent recommends setting the cooling fluid temperature to 23°C (73.4°F). For environments that are not air conditioned, Coherent recommends that the cooling fluid temperature be increased to the air temperature to avoid condensation in humid climates, but no higher than 26°C (78.8°F) and not less than 20°C (68°F). Whatever operating temperature is chosen, the water chiller used with the laser must hold that temperature to $\pm 1^\circ\text{C}$ during laser operation.

4.1.2

Receive and Inspect

The J-3 Series laser system packaging has been designed for robust shipment. Upon receiving the system, inspect the outside of all containers immediately to ensure no damage occurred during transit. If there appears to be visible damage (holes in the containers, fluid damage, crushing, etc.), immediately notify Coherent and a representative of the carrier. Request that a representative of the freight company be present when unpacking the contents.



NOTICE

Keep the original shipping containers and packing materials for transporting the J-3 Series laser system from one location to another. If the system is to be returned to Coherent for repair, it must be transported in the original shipping container.

The containers may appear to be in good condition, but the contents may be damaged. Inspect all major components as they are unpacked. Unpacking procedure instructions are found in “Installation” (p. 58).

To unpack the laser system, at least two people and the following tools will be required:

- Scissors or a package cutting knife
- 8” adjustable wrench
- Large Pliers (may be required to loosen 2 wing-nuts)
- Forklift or pallet jack able to lift and move at least 77 kg (170 lbs.) - total weight of a fully loaded shipping crate
- Forklift or hoist capable of lifting the 45 kg (100 lbs.) laser system out of the crate
- Cart capable of supporting and transporting the 45 kg (100 lbs.) laser system to the installation area



NOTICE

While in transit, the shipping container and its contents may be exposed to cold temperatures. To prevent condensation from developing on and within the laser system, move the crate to a location near the installation area and allow it to acclimate before unpacking the laser.

4.1.3 Laser Installation Area

It is assumed that the laser will be integrated into a laser cutting or marking tool designed and manufactured by a third party. Because each system installation is unique, only general guidelines will be discussed.

4.1.3.1 Service Access

It is highly recommended that the system integrator follow the Coherent recommendation for laser orientation with respect to service access within the customer's equipment (see Figure 4-13 on page 69).

If placing the laser inside a cabinet or enclosure, make sure to design sufficient access to all lifting and mounting points. Additionally, make sure to provide adequate service clearance at the rear (interface connectors), the front (coupling to beam delivery system), and top and sides (to remove covers for service access). It is particularly important to ensure top and rear access since this will allow for easy replacement of the RF power module in the unlikely event of a failure.

- Mount the laser system with the RF power module readily accessible through service access panels.
- Provide easy access to all electrical and signal connections.
- Provide easy access to cooling and purge connections.



NOTICE

Providing the recommended service access will provide ease and speed of service and repair of the J-3 Series laser system.

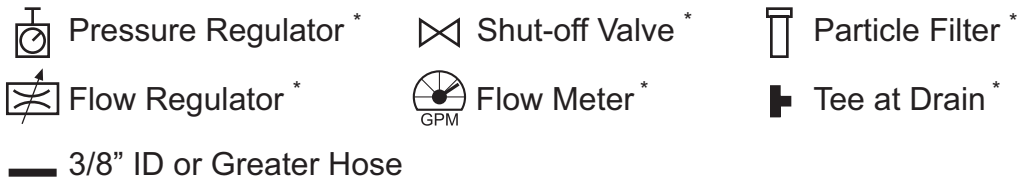
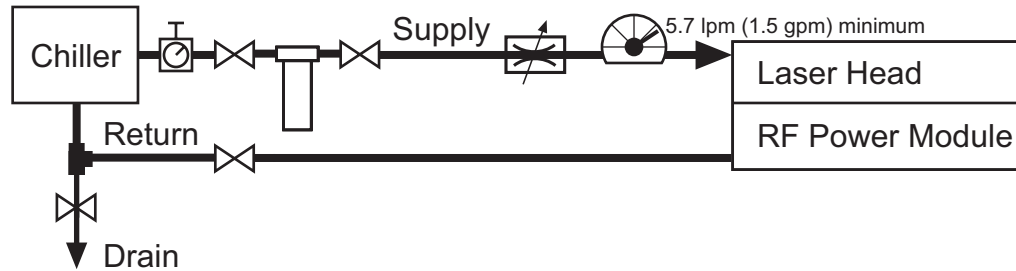
Also, consider the interface/connection point locations at the rear end of the laser system and the length of cables, hoses, and tubing, including service loops, when placing the DC power supply, chiller, and control system.

4.1.4 Laser System Cooling

The J-3 Series laser head and the RF power module require a continuous flow of constant temperature cooling fluid. Because the properties of the cooling fluid are important for laser performance, ensure that the conditions remain within the tolerance limits listed in Table 4-2 (p. 46) at all times.

A closed-loop cooling system (chiller) should be used to obtain consistent and stable laser performance. The chiller must be able to remove up to 4.8 kW of heat. The coolant composition for the closed-loop chiller is described in the following section.

A typical flow diagram is shown in Figure 4-1. The delivery system and/or laser power detector may be connected in parallel auxiliary loops as long as they do not reduce the required flow to the laser, or they may be cooled by a separate chiller.



* Recommended

Figure 4-1. Coolant Flow Diagram

4.1.4.1 Coolant Temperature

At the laser head, the inlet temperature of the cooling fluid should always be above the dew point to prevent condensation from developing inside the laser head or RF power module.

4.1.4.2 Coolant Filtering

To prevent accumulation of debris in the cooling system, the coolant should be filtered at the inlet to the laser system.

Coherent recommends the use of hose with an ID of 3/8" (10 mm) or greater to minimize the pressure drop from the chiller to the laser system. Do not exceed the maximum hose length specified by the chiller manufacturer.

A suitable water filter should be connected as shown in Figure 4-1 (p. 45) on the input water line from the chiller.

Shut-off valves on the supply and return lines are recommended to facilitate maintenance to the cooling system filters and laser system.

4.1.4.3 Coolant Composition

The required coolant composition is a mixture of clean distilled or deionized water containing a low toxicity corrosion inhibitor. THE USE OF CORROSION INHIBITOR IS MANDATORY IN THE J-3 Series LASER. Coherent has tested two different solutions that will prevent corrosion within the laser coolant circuit.

These are described in Table 4-2:

Table 4-2. Recommended Coolant for J-3 Series Lasers

Product Name	Manufacturers Name and Contact	Heat Transfer Fluid Type	Required Heat Transfer Fluid Content	Freezing Burst Protection	Other Precautions
OptiShield	OptiTemp. Inc. www.opti-temp.com US/Canada 231-946-2931	Corrosion Inhibited Water	10% solution in water	Does not reduce the water freezing point	Use may be restricted in geographical locations outside the US
Dowfrost™	Dow Chemical Inc. www.dow.com 989-636-1000	Inhibited Propylene Glycol and Water	30% in water	At 30% mix will provide burst protection to -25°C (-13°F)	See Note below

Note on the use of Dowfrost:



Using Dowfrost at 30% in distilled water changes the heat transfer capacity of the water and also its viscosity. This means that the laser will be efficiently cooled as long as the specified flowrate of 1.5 gpm is maintained.



NOTICE

Failure to provide adequate cooling to the laser will result in unstable operation and potential failure.



NOTICE

To prevent damage to the laser head and RF power module, never operate the J-3 Series liquid-cooled laser using untreated tap, distilled, or de-ionized water as a coolant. The laser contains materials which will suffer corrosion damage when exposed to water without corrosion inhibitors. Corrosion caused by improperly treated coolant voids the warranty.

It is important to add the right amount of corrosion inhibitor in the coolant mix. Too much may result in poor cooling performance and too little will result in reduced protection against corrosion. Levels lower than the recommended amount may also encourage microbial growth, which can result in fouling and blockage of the cooling system. Also, only use fresh, clean coolant mix (OptiTemp recommends that the coolant be drained and replaced annually).

Figure 4-2 shows system components from water circuits treated with inhibitor and a water circuit without inhibitor.



Untreated Water Circuit



Treated Water Circuit

Figure 4-2. Water Circuits - Untreated and Treated

4.1.4.4 Freeze/Burst Protection

The recommended coolant mixture does not provide freeze protection; therefore the coolant temperature must be maintained above the freezing point of water. Since lower temperatures may occur during shipment and storage, the J-3 Series laser system (or separate laser head or RF power module components) should never be stored or transported unless the coolant has been completely removed by using a compressed air supply to blow out all coolant passages.



NOTICE

Never store or ship a complete J-3 Series laser system or laser head or RF power module with coolant installed, as the coolant may freeze and cause permanent internal damage. Always remove the coolant prior to storage or shipment by using a compressed air supply to blow out all coolant passages. Plug or cap coolant inlet and outlet fittings after draining to prevent residual coolant leaks during storage or shipment. Damage to the laser during storage or shipment, as a result of failure to remove coolant and plug the inlet and outlet fittings after coolant removal, is specifically excluded from the product warranty.

4.1.5 Alternative Coolant Composition

An alternative coolant composition is a mixture of water and DOW-FROST, a low toxicity, corrosion inhibited, propylene glycol based heat transfer fluid available from The Dow Chemical Company. Because this fluid consists of propylene glycol and non-toxic corrosion inhibitors, the legal and regulatory restrictions on its use and disposal are less demanding than is the case for fluids containing ethylene glycol. The required mixture is 25% to 30% DOWFROST by volume, with the balance consisting of water. In addition to DOWFROST, alternative propylene glycol based heat transfer fluids may also be used, as indicated in Table 4-3. In addition, for those applications where the user determines that the higher toxicity of an ethylene glycol based heat transfer fluid is acceptable, the fluids indicated in Table 4-4 may be used.

Coherent has found that to be safe, distilled water is highly recommended as the dilution water component of the coolant mix. Recommended guidelines on dilution water quality are as follows:

- Chlorides and sulfates in dilution water less than 25 ppm
- Total hardness as calcium carbonate less than 100 ppm

Table 4-3. Propylene Glycol-Based Heat Transfer Fluids for J-3 Series Lasers

Product Name	Manufacturer's Name and Telephone Number	Suggested Distributor and Contact Information	Heat Transfer Fluid Type	² Required Heat Transferred Fluid Content in Coolant	Assured Burst Protection
¹ DOW-FROST or DOWCAL N	The Dow Chemical Company U.S./Canada: 1-800-447-4369 Europe: +31 20691 6268 Elsewhere: 1-517-832-1556	U.S.: Hubbard-Hall, 1-203-756-5521 www.hubbard-hall.com or: S/C Industries, Inc. 1-800-675-4785	Inhibited propylene glycol	25 vol% to 30 vol%	-18°C (0°F)
¹ DOWCAL N is a Dow Chemical product functionally equivalent to DOWFROST. DOWCAL N is available primarily in Europe, and DOWFROST is available primarily in the U.S. and Canada. ² The balance of the coolant consists of water with low mineral content.					

Table 4-4. Ethylene Glycol-Based Heat Transfer Fluids for J-3 Series Lasers

Product Name	Manufacturer's Name and Telephone Number	Suggested Distributor and Contact Information	Heat Transfer Fluid Type	¹ Required Heat Transferred Fluid Content in Coolant	Assured Burst Protection
DOWTHERM SR-1	The Dow Chemical Company U.S./Canada: 1-800-447-4369 Europe: +31 20691 6268 Elsewhere: 1-517-832-1556	U.S.: Hubbard-Hall, 1-203-756-5521 www.hubbard-hall.com	Inhibited ethylene glycol	30 vol% to 35 vol%	-27°C (-17°F)
¹ The balance of the coolant consists of water with low mineral content.					

The manufacturers listed in Table 4-3 and Table 4-4 offer prediluted mixtures. The water dilutions indicated in these tables are appropriate only for the undiluted product in each case.

See "Maintenance and Troubleshooting" (p. 109) in the operator's manual for maintenance and replacement requirements for the coolant.



NOTICE

To prevent damage to the laser, never operate any J-3 Series liquid-cooled laser using only ordinary water, such as tap water or deionized water, as a coolant. These lasers contain materials which will suffer corrosion damage when exposed to plain water without corrosion inhibitors. Corrosion caused by improper coolant voids the warranty.

It is important to neither use too much, nor too little corrosion inhibited glycol in the coolant mix. Too much glycol will result in poor cooling performance, and possibly overheating of parts of the laser system. Too little glycol will result in reduced protection against corrosion, freezing, and bursting. Glycol fluid levels lower than the recommended amount may also encourage microbial growth, which can result in fouling and blockage of the cooling system.

4.1.6

Freeze/Burst Protection

With the recommended alternative coolant mixes, burst protection is assured down to a temperature of -18°C (0°F) for the propylene glycol based fluids (Table 4-3) and to -27°C (-17°F) for the ethylene glycol based fluids (Table 4-4). Since lower temperatures may occur during shipment and storage, J-3 Series lasers should never be shipped or stored unless the coolant has been drained. And it is strongly suggested that the coolant within cooling lines of the laser system components be blown out with dry air or Nitrogen.



NOTICE

To avoid damage, never ship or store any J-3 Series laser containing coolant if it is possible it will be exposed to temperatures below the freezing point of the coolant during such shipment or storage. Plug or cap coolant inlet and outlet to prevent coolant leaks during shipment or storage.

4.1.6.1 Flow Direction

The coolant inlet and coolant outlet are clearly marked. It is critical that this coolant flow direction is established to ensure the proper operation of the laser system.

If any other components are included in the cooling loop, they must not reduce the coolant flow to the laser head, and any heat absorbing/generating components must come after the laser system.

4.1.6.2 Chiller Electrical Supply

A large industrial chiller normally requires a 230 or 480 VAC, 3-phase electrical supply with its own circuit breaker or fuse protection and an electrical disconnect. Refer to the chiller manufacturer's installation guide for electrical requirements and installation instructions.

4.1.6.3 Chiller Electrical Disconnect

It is recommended that the chiller have a main power disconnect to electrically isolate it from mains power for maintenance and service. Consult a qualified electrician to select and install this hardware. A typical disconnect switch with fuse protection is shown in Figure 4-3.

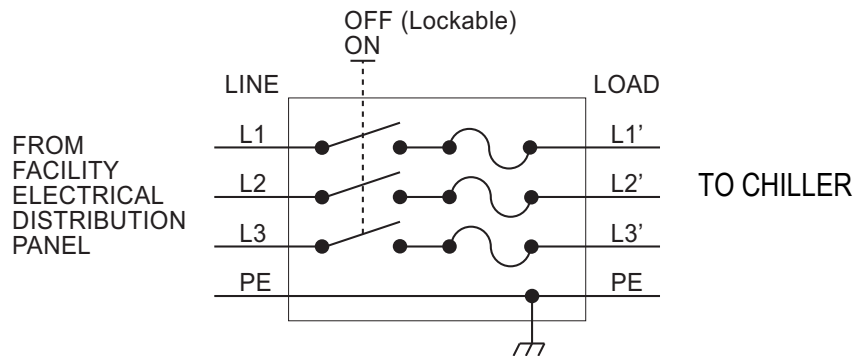


Figure 4-3. Chiller Electrical Disconnect Switch (with Fuse Protection)

4.1.7 Laser System Purge Gas



NOTICE

The use of purge gas is recommended. It will extend the life and reduce cost of ownership of the J-3 Series laser systems.

The quality of the purge gas is extremely important factor for trouble free operation of the laser. While the preferred purge gas is nitrogen with a purity of 99.95%, clean dry air (CDA) is also acceptable.

J-3 Series lasers are used in a wide range of material processing which often has by-products of dust, smoke, fumes, oil, and various gases. These by-products can cause contamination of the laser head optics as well as the beam delivery optics and electronic components. Contamination will severely degrade the system performance and can lead to damage or failure of sensitive components.

Passing a purge gas through the laser head and RF power module can prevent component damage by creating an internal positive pressure. Also under some conditions of high humidity, the laser beam can be distorted by optical absorption of the laser beam by fluid vapor. This effect can be totally eliminated by use of a proper gas purge.

4.1.7.1 Delivery System Purge Gas

The purge gas fills the laser enclosure and RF power module and slowly leaks out of small gaps between enclosure covers. The gas purge to the laser head exits primarily via the beam output aperture. While this is the primary exit path for the purge gas, small gaps in the interfaces between the components comprising the protective housing result in additional purge exit paths. Therefore, the user should not rely on purge gas exiting the beam output aperture to provide purge gas to the user's beam delivery optics. A separate purge should be used for external beam delivery optics.

Threaded holes in the output end plate provide a convenient means to connect the user's beam delivery optics while maintaining a gas seal at this interface.



NOTICE

Do not rely on purge gas exiting the beam output aperture to purge the external beam delivery optics. A separate purge line should be used to purge the external beam delivery optics.

If a shared purge gas supply is directed to both the laser system and the beam delivery system, make certain the supply and supply line are properly sized to provide an adequate flow rate to the laser system.



NOTICE

Other inert gases such as argon (Ar) must not be used. Use of inert gases will result in damage to the RF power module and associated matching network components. Only nitrogen or compressed air as described below should be used as a purge gas.

4.1.7.2

Guidelines for Use of Compressed Air for Purge

If nitrogen is not available, the alternative is clean, dry, oil-free compressed air. Compressed air is available in many facilities but typically is contaminated with water and oil vapors. The purity requirements for the compressed air are:

1. Filtered to remove particles larger than 1 micron.
2. Dried so that dew point is 10°C (18°F) lower than the inlet cooling fluid temperature to the J-3 Series laser.
3. Oil free to better than 99.995%.

Recommended purge gas configurations are shown in Figure 4-4.

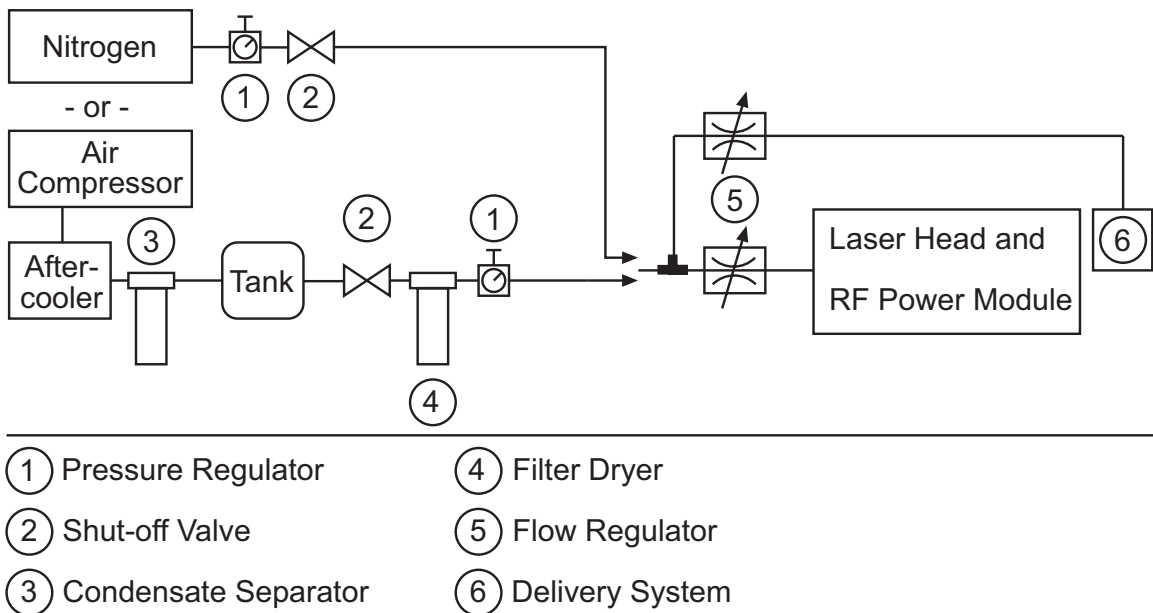
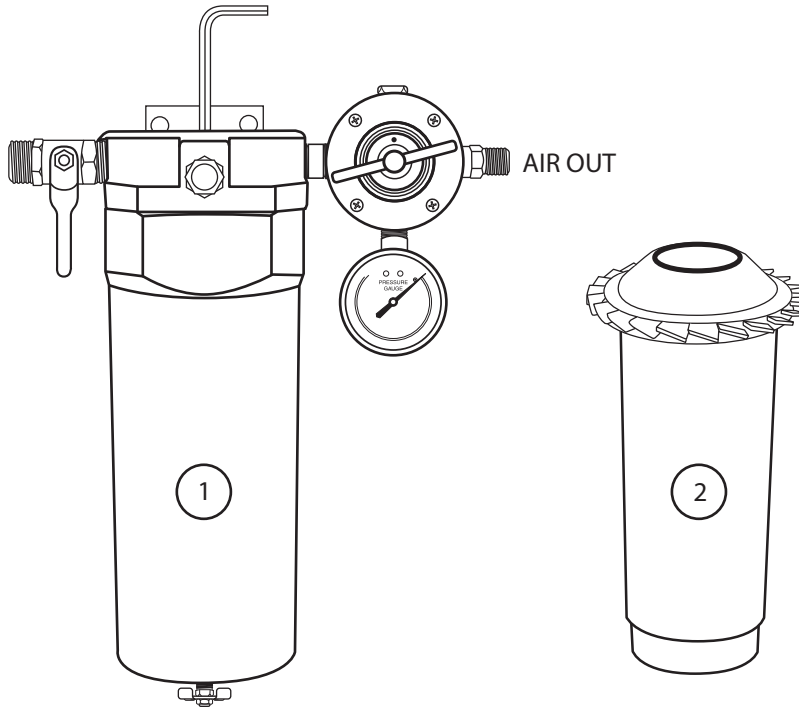


Figure 4-4. Purge Gas Diagram

Coherent has identified a suitable dry air purge filter which filters to 0.1 microns and dries the air to a dew point of - 40°C (- 40°F). The filter is shown in Figure 4-5 and is widely available.



1. Air Purge Filter Assembly; Part Number: 1232642
2. Replacement Desiccant Filter Cartridge; Part Number: 1236040

Figure 4-5. Air Filter Dryer Unit

For additional information on the Air Filter Dryer Unit, refer to “Air Filter Dryer Unit” (p. 161) of this manual.



NOTICE

It is the responsibility of the customer to provide purge gas of either nitrogen or compressed air that meets the specifications stated above, and clean flexible tubing to carry the purge gas. Failure to comply with these specifications will void the warranty and the customer is responsible for all cost of repair or damage to the laser.

See “Preventive Maintenance” (p.111) in “Maintenance and Troubleshooting” (p. 111) for the routine maintenance required for the purge gas filters.

4.1.8 DC Power Supply

Coherent has qualified several DC power supplies for use with the J-3 Series laser systems. Contact Coherent for the current list of qualified supplies. While Coherent stocks some of these supplies for the convenience of Coherent customers, Coherent encourages the direct purchase of these supplies from the DC power supply manufacturer.

Coherent can provide the DC power cables that connect the DC power supply output to the + 48 VDC and 48 VDC return terminals on the RF power module (see Figure 4-16 on page 74). These cables come with standard cable terminals.

4.1.8.1 DC Power Supply Electrical Service

Consult the instruction manual provided by the DC power supply manufacturer for electrical service requirements. Also, consult local electrical codes to determine the current rating for fuses or circuit breakers for the electrical service to the power supply.

4.1.8.2 DC Power Supply Electrical Disconnect

All recommended supplies require an electrical disconnect to reset faults and to provide a disconnect for service. Coherent recommends that a main power disconnect (to the DC power supply) be located in the same room as the laser system. Consult a qualified electrician to select and install this hardware.

4.1.8.3 Mains Power Cord

The integrator must provide the AC mains cable of suitable size (gauge) for the chosen length and current carrying requirement. Depending upon local electrical code, the power cord may need to be hard-wired into a junction box or electrical disconnect switch, or may be connected to mating plug and receptacle. Consult a qualified electrician and wire to local electrical code.

4.1.9 Beam Delivery System

The beam delivery system is typically designed and built by the system integrator.

Verify that the beam delivery system is designed for the J-3 Series laser beam specifications: wavelength, beam diameter, power density, divergence, output beam height (with respect to base-plate), mirror cooling, etc.

4.1.9.1 Shutter

If the laser is equipped with the optional internal shutter assembly, a red (visible) aiming laser is provided whenever 48 VDC is on and the shutter is closed. This aiming beam serves as a visual indicator of the process beam path, and can be used to align the beam delivery system.

If the optional internal shutter assembly is not installed, it is recommended to provide an external shutter or beam block near the laser aperture to prevent laser exposure when servicing the delivery system. Make sure the beam block is made of suitable material to safely trap and dissipate the laser power.

4.1.9.2 Accessory Coupler

The laser head output aperture provides accommodation for up to a 50 mm (2") OD beam tube to couple to the laser head. Enclosing the beam within gas-purged metallic tubes is a safe and recommended method of transmitting the beam from the laser head to the work piece.

4.1.9.3 Purge

Providing a constant flow of purge gas to the delivery optics is recommended to keep optical surfaces clean and moisture free. If sharing a purge gas supply between the laser and delivery system, make certain that the laser system purge gas flow rate is maintained at the specified volume. See "Laser System Purge Gas" (p. 52).



NOTICE

If cutting or marking reflective materials, an optical isolator must be installed between the laser and the process material to prevent work piece reflections from returning to the laser head.

4.1.9.4 Optical Isolation

An optical isolator must be installed between the laser and the process material if cutting or marking reflective materials. This must be done to prevent work piece surface reflections from returning to the laser head.

Coherent has qualified the optical isolators listed in "Accessories and Options" (p. 159) for use with the J-3 Series laser systems.

4.1.10 Laser Control, Measurement & Diagnostic

The main interface for control and status is the Real Time Control and Status Interface. Safety interlocks, shutter control and shutter status are available on the Extended Interface Connector.

Detailed description and interface methods are discussed in "Control Interfaces" (p. 79). If a third-party or customer-designed controller is not available, Coherent has a Diamond Remote Control available as an option.

Regardless of which control method is used, the laser requires that an external interlock (user supplied) be satisfied (closed) for operation. It is highly recommended to incorporate a serial interlock loop consisting of switch contacts on all service access doors and panels, and interlock switches or light curtains on all material access gates and doors.

4.1.10.1 Laser Power Measurement

To accurately measure delivered laser power, a calibrated optical power meter (detector head plus display console) is necessary. Liquid (water) cooling is generally required for the detector head at J-3 Series power levels. Make sure to provide adequate cooling for the detector head.

Coherent manufactures a wide range of power meters (display consoles and sensor heads). Refer to "Accessories and Options" (p. 159) for recommended measurement tools.

4.1.11 Laser Safety

Safety First! Read and understand the contents of "Laser Safety" (p. 9). Accidents can generally be reduced or eliminated by following all recommended safety guidelines.

Coherent recommends that each facility appoint and train a Laser Safety Officer (LSO) responsible for overseeing all aspects of laser safety.

Design systems with safety in mind. Use engineering controls such as: enclosed beam paths, interlocked covers, and shutters.

Designate a laser controlled area and keep all untrained and non-essential personnel out. Provide beam blocks, light shields, and/or curtains, as required, to establish a controlled area.

Insist that all operators and maintenance personnel receive proper training (and re-training) in laser and electrical safety. Require all personnel to have appropriate Personal Protective Equipment (PPE), especially laser safety eyewear suited to the laser in use and the job at hand.

4.2 Installation

The installation procedure consists of performing the following steps:

1. Prepare facility and ensure that all items listed in Table 4-1 (p. 40) are satisfied.
2. Receiving and unpacking the shipment.
 - Allow the laser system temperature to acclimate to local room temperature.
 - Remove laser, DC power supply, loose parts, and accessories from shipping crates.
 - Inspect system components.
3. Mount the laser system and the DC power supply.
4. Connect optics purge gas line and perform a laser system purge (mandatory).



NOTICE

Damage to internal optical components may occur if the laser is not purged prior to use, and this damage is NOT covered by the laser warranty.

5. Connect the coolant lines and turn on the water supply. Monitor connections for 5 minutes and make sure there are no leaks.
6. Connect the electrical cables from the DC output terminals to laser input terminals and from the main AC supply to the DC supply input terminals.
7. Remove the output aperture cover and couple beam delivery system to the laser head output aperture.
8. Connect a laser controller in accordance with the chosen control method for this installation.

4.2.1 Required Tools

The following tools will be required to unpack and install the laser system:

- Scissors or a package cutting knife
- Forklift or pallet jack to lift 77 kg (170 lbs.) - the weight of a fully loaded shipping crate
- A hoist capable of lifting at least 45 kg (100 lbs.) - the weight of the laser system
- A cart capable of supporting and transporting at least 45 kg (100 lbs.) - the weight of the laser system
- Metric hex wrench set (Allen keys)
- 1/4" flat-blade (-) screw driver
- #1 Phillips (+) screw driver
- Roll of 1/2" wide Teflon tape (included in coolant filter kit)
- One 5/16" (or 8 mm) open end wrench that is less than 1/8" (3 mm) thick and one 7/16" open end wrench (or small adjustable wrench) for attaching the + 48 VDC cable
- Two 3/4" open end wrenches (with width of 1/4" or less)
- Common hand tools

4.2.2 Required Parts and Equipment

Table 4-5 (p. 60) lists parts and equipment required to perform the installation. Note that some items may have been purchased and supplied in the laser shipment while others must be obtained locally.

Table 4-5. Parts and Equipment Required for Installation

Item	Quantity	Purpose	Available from Coherent?
+ 48 VDC power supply	1	Provides + 48 VDC power to the RF power module and the laser head.	Yes
AC power cord for DC power supply	1	Connects AC electrical supply to DC power supply input	No
Electrical disconnect for DC power supply	1	Disconnects power cord (to DC power supply) from AC electrical supply; can be mating plug/receptacle (if allowed by local code), or panel mounted disconnect	No
DC power supply cables	2 each 3 m (10 ft.) in length	48 VDC cables Qty. 2, 1/0 AWG cables (1 red & 1 black) Supplies 48 volts to RF power module.	Yes 1256349 J-3 DCPS Accessory Kit, 3 meters
Liquid-cooling System/Chiller	1	Provides temperature regulated liquid coolant to laser system	No
Coolant kit (Optional)	1	Filters particles from coolant - 30 micron or better 3/8" male NPT to male GHT (garden hose thread) 3/8" male NPT to female GHT (garden hose thread) Coolant hoses Coolant kit contains particle filter, fittings and coolant hose required to provide coolant to the laser system from the liquid-cooling system	Yes 1233216 Coolant Kit
Coolant	Amount varies	The heat transfer medium used to remove heat from the laser system; consists of a mixture of distilled (or de-ionized) water and corrosion inhibitor	No
Corrosion inhibitor	Amount varies	Prevents corrosion of metal parts in contact with the coolant	No
Purge Gas (Regulated Supply)	1	Used to displace atmosphere of air within the laser head and the RF power module; typically N ₂ or clean, dry air (CDA)	No
Purge Gas Filter	N/A if using N ₂ ; required if using CDA	Removes water vapor and particulates from compressed air; see "Accessories and Options" (p. 159). Supplied with laser if purchased.	Yes 1232642: Purge Gas Filter Assembly 1236040: Replacement filter cartridge
Purge Gas tubing (between purge gas supply and laser system)	as required	6 mm OD Teflon, polyethylene or polypropylene tubing to connect the purge gas supply to the laser head	No

4.2.3 Facility Preparation

Prepare the facility (installation site) as described in Table 4-1 (p. 40).

4.2.4 Unpacking and Inspection

The J-3 Series laser system packaging has been designed for robust shipment. Upon receiving the system, inspect the outside of all containers immediately for damage that may have occurred during transit. If there appears to be any visible damage (holes in containers, fluid damage, crushing, etc.), immediately notify Coherent and a representative of the carrier. Request that a representative of the freight company be present when unpacking the contents.



NOTICE

Keep the original shipping crates, lifting hardware and packing materials for shipping the J-3 Series laser system from one location to another. If the system is to be returned to Coherent for repair, it must be in the original shipping container.

Carefully unpack the crate in a clean, dry area. Inspect all major components as they are unpacked.



CAUTION!

The J-3 Series laser system is not designed to be lifted or carried by hand. Always lift, move, and place the laser using equipment approved for lifting and properly rated for the weights listed. To avoid personal injury, never place any body parts below a lifted or suspended laser.

4.2.5 Unpacking Instructions

This section contains photos representative of unpacking a typical J-3 Series laser system. There are two optional methods for unpacking. Option One uses the forklift method and Option Two uses the eyebolts (found in the accessories packet) to lift the laser out of the box. Note that some laser models may be packed differently.

The Unpacking Instructions use the J-6 laser photos as examples.

4.2.5.1 Option One: Forklift Method

1. Cut and remove any/all banding that holds the box(es) to the skid (Figure 4-6).



Figure 4-6. Removing Skid Banding



If the laser system is significantly below room temperature, it is recommended that the laser system equilibrate to room temperature before removing it from its shipping container.

2. Remove the top cover of the box (Figure 4-7).



Figure 4-7. Top Cover Removed

3. Unfold the side of the box (Figure 4-8). Remove, do not discard, the foam caps on each end of the laser.



Figure 4-8. Unfold the Side of the Box and Remove Foam End Caps

4. Insert fork-type lifting device between the laser and the box, then lift the laser out of the box (Figure 4-9).

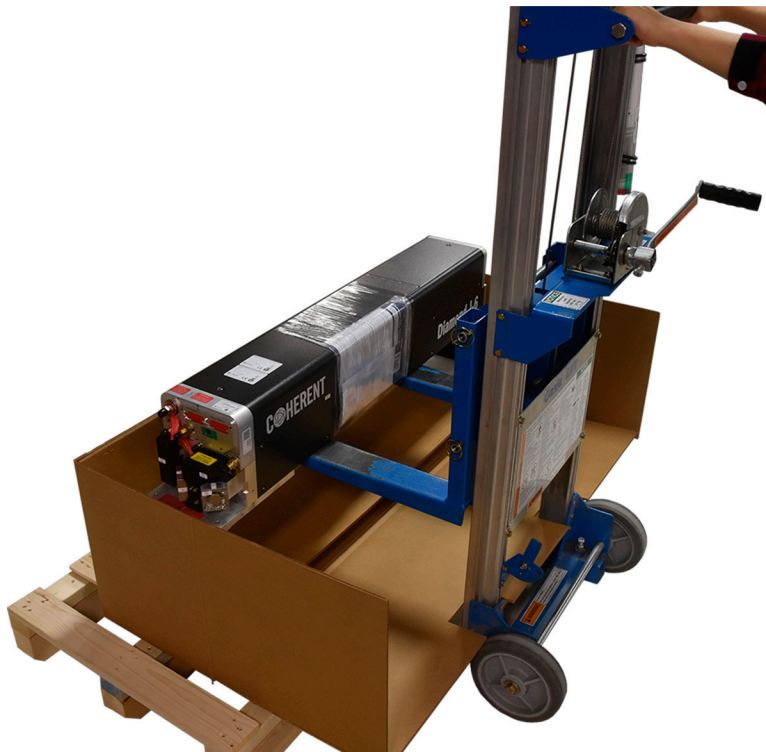
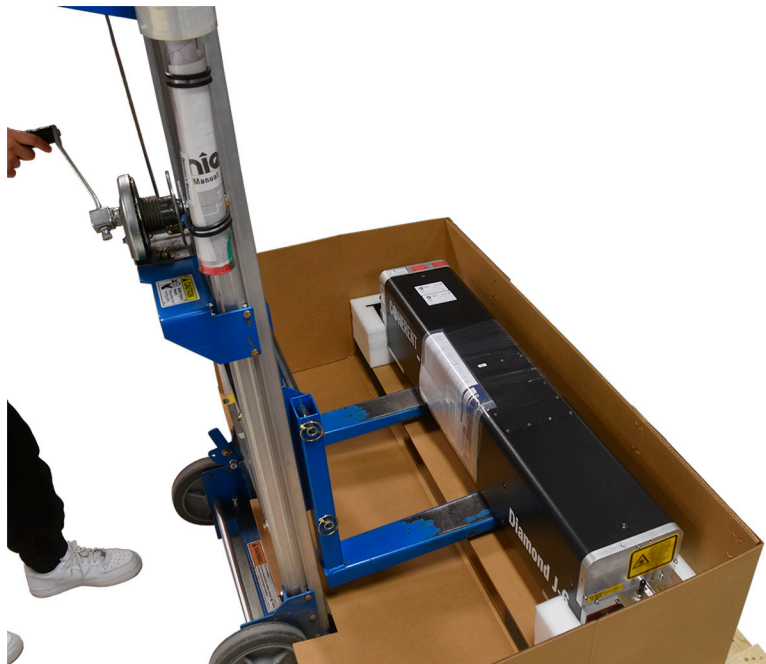


Figure 4-9. Lifting the Laser



Figure 4-9. Lifting the Laser (Continued)

4.2.5.2 Option Two: Eyebolt Method

1. Follow step 1 through step 3 in the forklift method.
2. Locate and remove user documents and lifting eyebolts from the accessories bag (Figure 4-10).

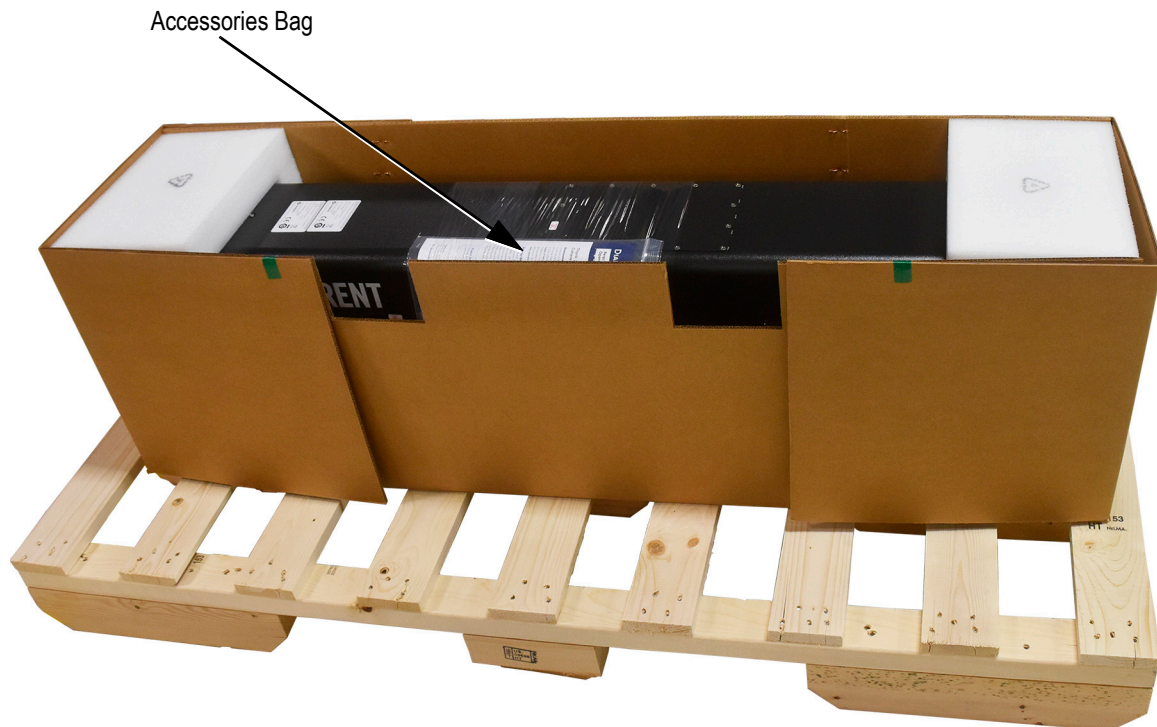


Figure 4-10. Removing the User Documents and Eyebolts

3. Insert the supplied eyebolts into the holes as shown in Figure 4-11.

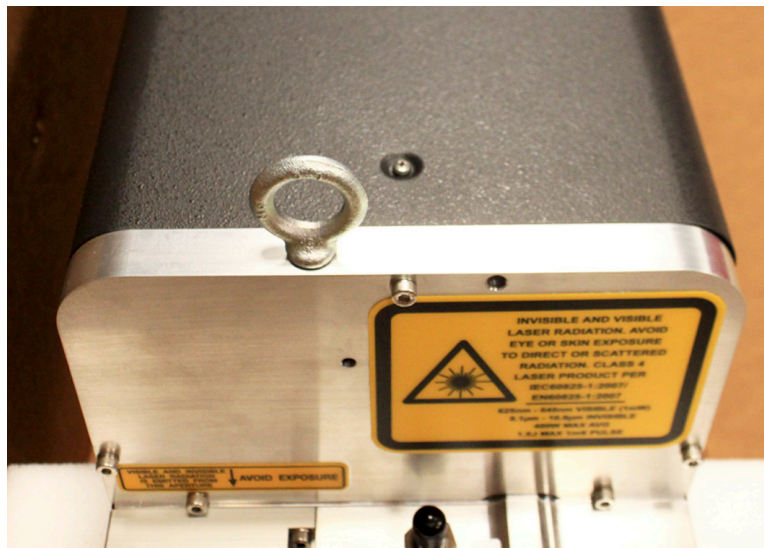
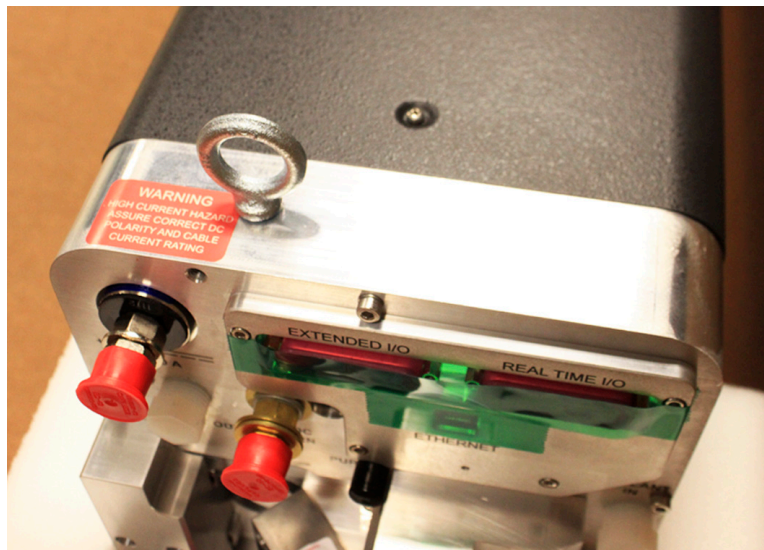


Figure 4-11. Eyebolts Installed in Laser System

4. Attach a lifting bar to the eyebolts and lift the laser out of the box.

4.2.6 Mounting Laser System Components

The integrated laser system has provisions for stress free mounting that includes mounting features facilitating laser replacement. Since the laser is aligned to these mounting features, a laser can be replaced with minimal or potentially no system re-alignment.

A protective cover is mounted to protect the beam output aperture of the laser during shipment. This must be removed before mounting the laser as it blocks the access to one of the mounting holes.

The laser is mounted to the user's system using 3 x M8 x 35 mm steel bolts and 2 x M6 18 mm steel dowel pins. The location and specification for the tapped and dowel pin holes necessary to mount the laser system into the user's system is provided in Figure 4-12. The dowel pins serve to provide an accurate mechanical reference of the laser output to the laser's mounting features. It is recommended that the M8 x 35 mm mounting bolts be torqued to 20 N·m (177 in.-lb).



NOTICE

Torque specification for the M8 X 35 mm mounting bolts is 20 N·m (177 in.-lb). Do not over torque.

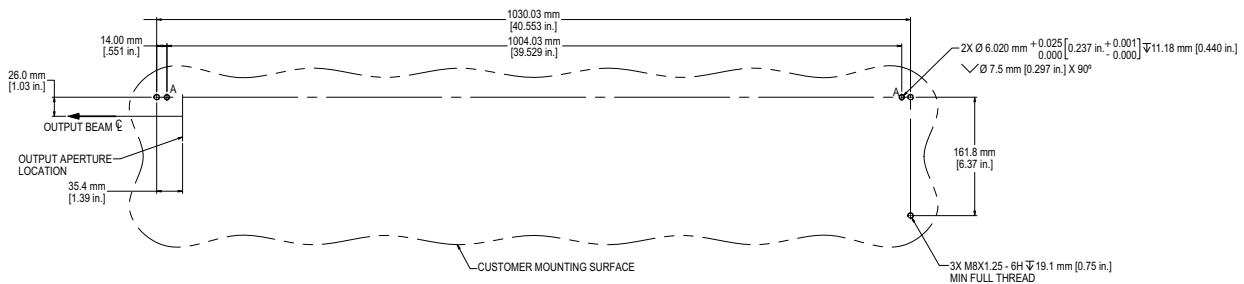


Figure 4-12. J-3 Series System Installation in OEM Equipment

4.2.7 Set-up Purge

Purge is required in order to eliminate moisture from the system prior to use. This is required even though the system packaging is designed to ship the laser in a 'dry condition'. Note that system purge is required whenever the system has been off for an extended period of time without purge.

Purge the system with nitrogen or clean, dry air for a minimum of two hours. Failure to purge the system leaves the system at substantial risk of optics failure. Guidelines for system purge are found in "Laser System Purge Gas" on page 52.

4.2.8 Service Access

It is highly recommended that the system integrator follow the Coherent recommendation for laser orientation with respect to service access within the customer's equipment (see Figure 4-13):

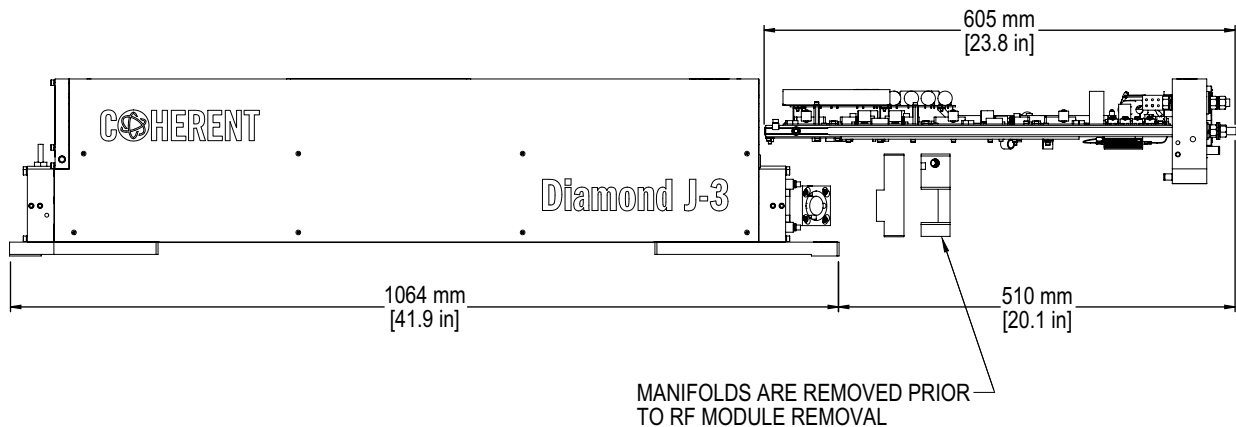


Figure 4-13. J-3 Series System Service Access

Mount the laser system with the RF power module readily accessible through service access panels in OEM's system

- Provide easy access to electrical connections:
 - Control interface
 - Diagnostic interface
- Provide easy access to cooling connections
- Provide easy access to the optics purge gas connection



Following these recommendations will provide ease of service for J-3 Series laser systems.

The laser head can be mounted in any orientation. If mounted vertically with the beam tube up, ensure no dust or other particulates fall into the output aperture during installation.



NOTICE

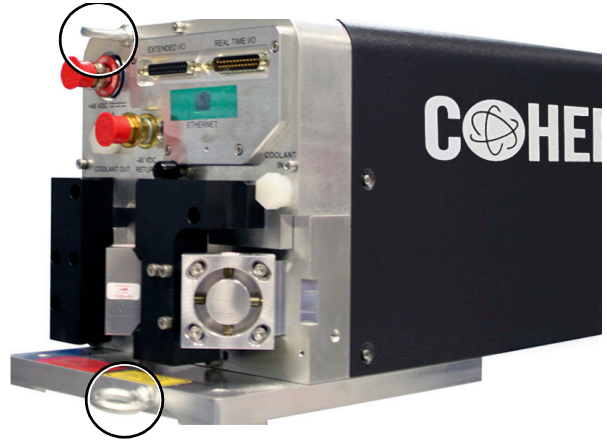
Customers mounting the laser in a 'non-horizontal' feet down configuration are responsible for properly supporting the laser during installation (and de-installation). Great care must be taken that the laser (45 kg or 100 lbs.) plus weight of hoses, cables, and externally mounted accessories is supported without damage to the laser structure. The top eyebolts cannot be used for vertical installation.

4.2.9 Vertical and Side Mounting

1. Install eyebolts into screw holes. See Figure 4-14 for screw hole locations. Do NOT use the top eyebolt locations during vertical lift (refer to Figure 4-15 on page 72).



Output End View



Interface End View



Side View (Output End Left)



Side View (Interface End Left)

Figure 4-14. Vertical and Side Mounting Eyebolt Positions

2. Securely connect appropriate slings or chains to the eyebolts and a user-supplied spreader bar. Chains/slings must be vertical when under load. See Figure 4-15.
3. Carefully lift the laser system while preventing the free end from moving around. See Figure 4-15.

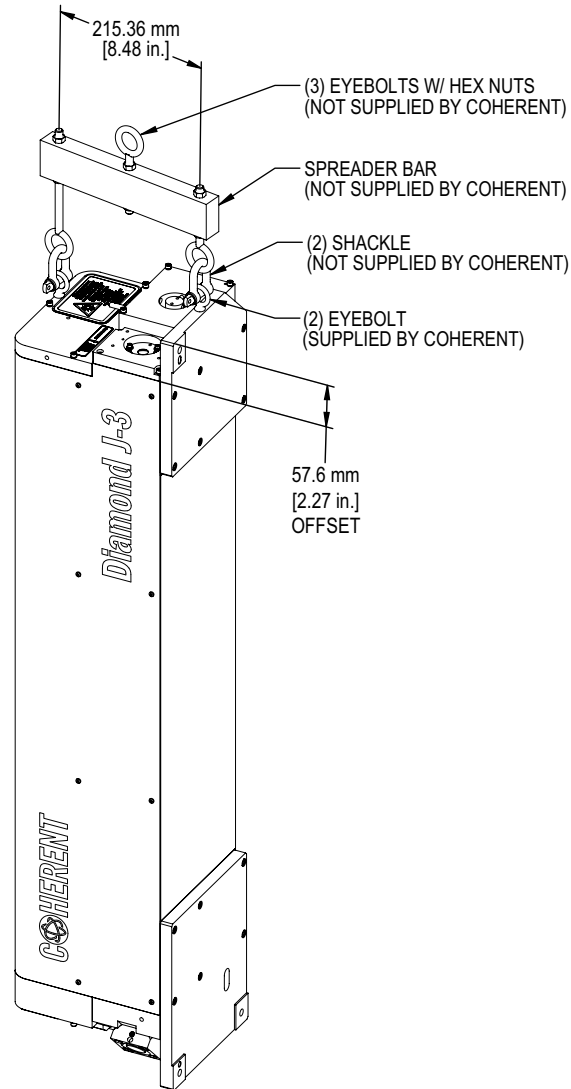


Figure 4-15. Vertical Mounting Illustration



NOTICE

If lifting laser in the Beam Up position, take extreme care to protect the interface connections from damage as the laser is tilted from horizontal!

4.2.10

Customer Mounting of Attached Accessories

J-3 Series lasers have a provision for the customer to mount optics/accessories via the laser front plate. The following provisions must be followed:

- Accessory mount maximum load: 2.3 kg (5 lbs.) at 254 mm (10 in.) or equivalent.
- The customer must provide a continuation of optical purge through the added components using a separate purge line, or by splitting and regulating an existing purge line to provide good flow to both laser and beam delivery components.

4.2.11 Laser Head Connections

Refer to Figure 4-16 and Table 4-6 for the location and description of the laser head connections.

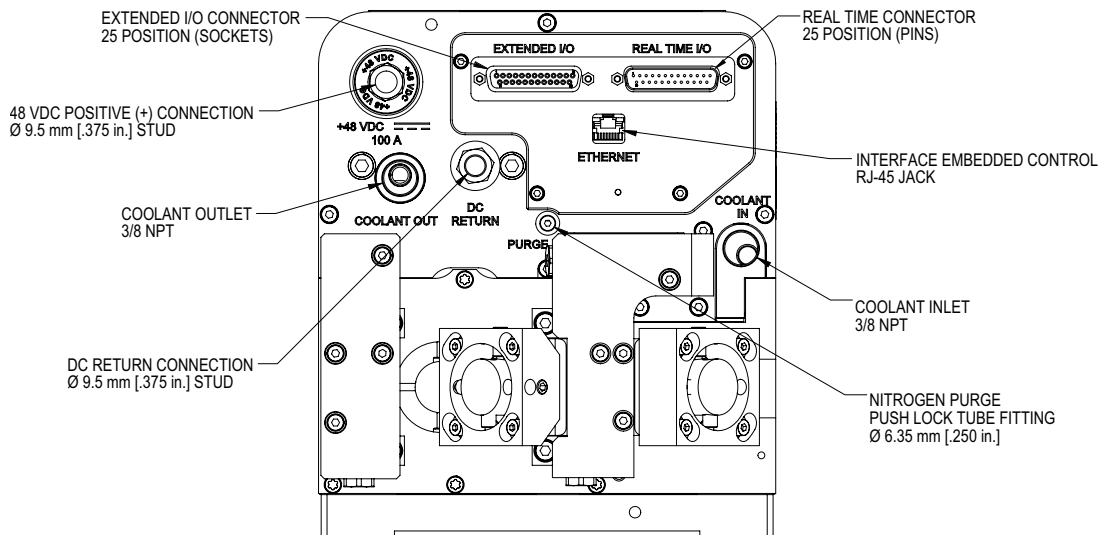


Figure 4-16. J-3 Series Laser Head Connections

Table 4-6. J-3 Series Laser Head Connections

Control	Function
Extended I/O Connector	DB25 connector that provides extended capability (including shutter control and additional fault signals).
Real-time Connector	Connector for a DB25 interconnection cable. This connector supplies control and input modulation signals from the user to the RF power module and supplies status information from the laser system.
48 VDC Positive (+) Connection	Connects + 48 VDC from the DC power supply to the RF power module. Apply 120 in.-lbs. (13.5 N·m) torque to nut supplied using two wrenches.
Interface Embedded Control	LAN connector for diagnostics and troubleshooting.
DC Return	Connects the RF power module - 48 VDC return to the DC power supply. Apply 120 in.-lbs. (13.5 N·m) torque to nut supplied using two wrenches.
Coolant Outlet	Connection for the cooling fluid hose. Cooling fluid travels from the laser head through the RF power module and out to the drain.

Table 4-6. J-3 Series Laser Head Connections (Continued)

Control	Function
Coolant Inlet	Connection for the cooling fluid hose that supplies coolant from the coolant source.
Nitrogen Purge	<p>Provides for the mandatory gas purge of the beam conditioning optics. Requires ¼ inch (6.3 mm) OD Teflon, polyethylene or polypropylene tubing (see “Optics Purge Connection” on p. 78).</p> <p>Standard gas fitting for purging the optics in the laser head. Nitrogen is not required for tube operation. Refer to “Laser System Purge Gas” (p. 52) for additional information on purging the laser head.</p>

4.2.11.1 Coolant Line Connections

The direction of fluid flow is first into the laser head module and then through the RF power module (see Figure 4-16).



NOTICE

To avoid damage to the J-3 Series, the coolant inlet and outlet must always be connected as specified.

The recommended coolant source is a closed-loop cooling system. Coolant composition must meet the requirements stated in Table 4-2, “Recommended Coolant for J-3 Series Lasers,” on page 46. Refer to “Laser System Cooling” (p. 44) and for additional information.

The recommended minimum cooling hose ID is a 3/8 inch (9.5 mm).

After connecting the water hoses, verify that there are no water leaks as follows:

- Close supply and return valves, then turn the chiller on.
- Open the valve in the water return (drain) line.
- Slowly open the valve in the water supply line.
- With the water supply pressure and water line differential pressure in accordance with Table 4-2 (p. 46), check all connections for leaks.

4.2.11.2 + 48 VDC Cable Connection

The + 48 VDC cable from the DC power supply is to be connected to the + 48 VDC marked connector on the rear panel. This is a special filtered connector that passes DC current but blocks RF emission. As illustrated in Figure 4-17, it is important that the user make this connection using two wrenches to prevent damaging the connector.



Figure 4-17. +48 VDC Location and Using Two Wrenches

It is critical that the polarity of the DC connections are not reversed. If power is applied with the polarities reversed, the RF module will be severely damaged requiring complete replacement.



NOTICE

When connecting the DC power supply's + 48 VDC cable to the laser's + 48 VDC RF filtering connector, use two wrenches to prevent damaging the connector.

Never connect the DC supplies' cables to the laser with their polarities reversed. Applying power under this condition will severely damage the RF module.

4.2.11.3 DC Return Cable Connection and Optional Grounding of RF Module

The J-Series RF module DC return is internally grounded directly to the chassis ground of the laser system. The DC return power supply cable from the DC power supply is to be connected directly to the marked connector on the rear panels, see Figure 4-18. As in the case of the + 48 VDC connector, it is recommended that two wrenches be used to connect the DC return cable to the DC return terminal (see Figure 4-17).

The DC return can also be connected to the side of the laser system using a M8 bolt, as shown in Figure 4-18. This alternate DC return connection location may be more convenient if this side of the RF module is accessible.

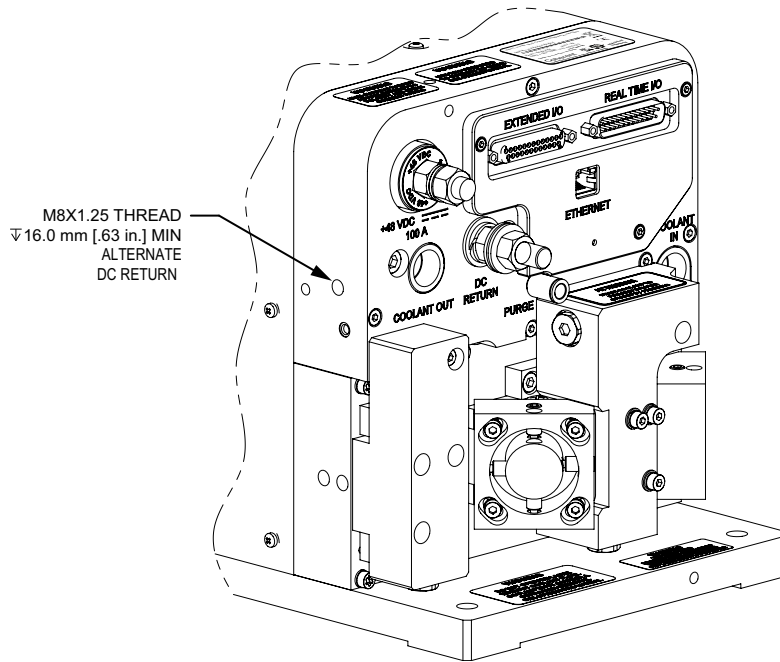


Figure 4-18. Alternate DC Return Connection Location

These connections ensure correct grounding for the system. As an added precaution, an additional safety ground may be configured using a direct connection to the DC return terminal at the laser. Under no circumstance should earth ground be connected to the DC supply return terminal. See Figure 4-19.

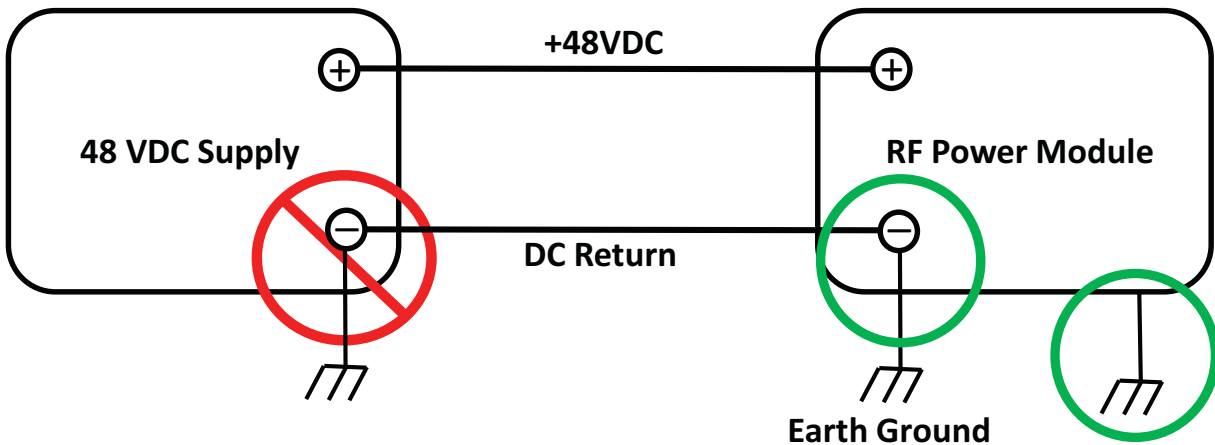


Figure 4-19. Grounding of J-3 Series Laser RF Module



WARNING!

Never connect a safety (earth) ground to the DC return terminal of the DC power supply. This terminal's potential will rise above safety (earth) ground potential due to current flow through the return cable. The DC return terminal of the DC power supply is electrically isolated and must always be allowed to float above safety (earth) ground potential.

4.2.11.4

Optics Purge Connection

To connect the optics purge gas use clean polyethylene, polypropylene or Teflon tubing. A 1/4 inch outside diameter tube fitting is provided on the laser head for connecting the optics purge gas. The purge gas at this input must meet the requirements discussed earlier in this section.

5 Control Interfaces

5.1 Introduction

This section describes the electrical interfaces required to operate J-3 Series lasers. As shown in Figure 5-1, there are three control interfaces for the J-3 Series consisting of:

1. Real time I/O
2. Extended I/O
3. Embedded diagnostic interface

Figure 5-1 and Table 5-1 (p. 80) provide a brief description of these interfaces as well as sections of the manual that provide complete information. Also, Table 5-1 provides a description of the LED indicators. Critical signals, which control laser power, are the pulse width and pulse period. Typical laser output power for various operating pulse widths and periods is shown in "Operation" (p. 101).

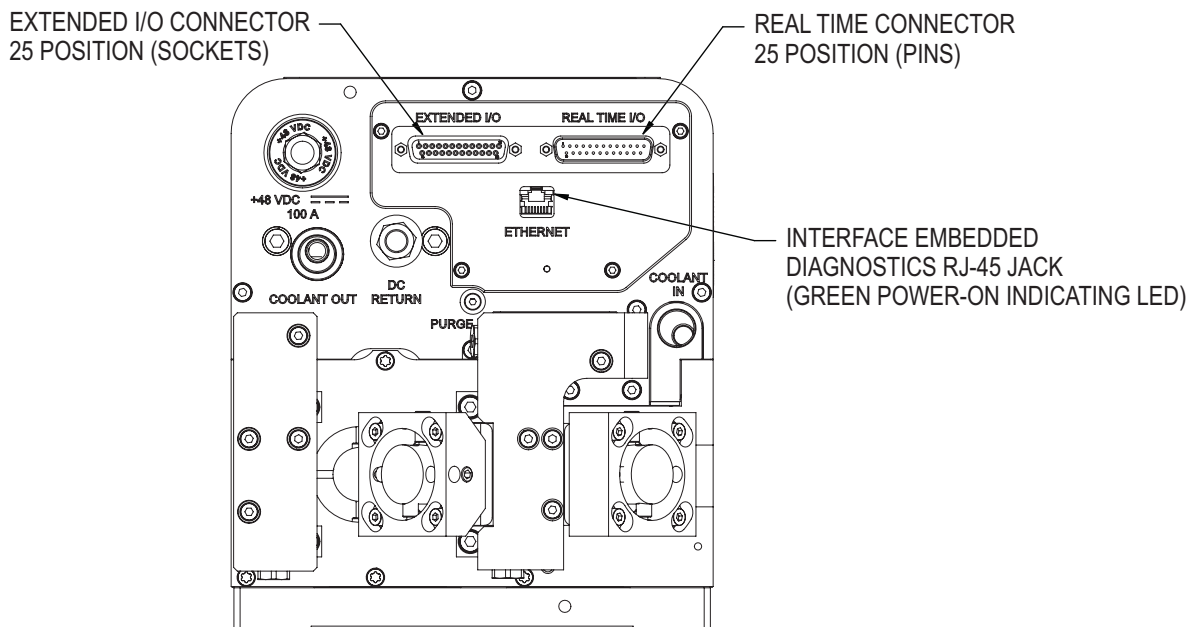


Figure 5-1. J-3 Series Laser Electrical Interfaces

Table 5-1. J-3 Series Laser Electrical Interfaces

Interface or Indicator	Description	Operator's Manual Section
Real Time Control and Status I/O	DB-25 connector (male)	Table 5-3 (p. 82) and Table 5-4 (p. 82)
Extended I/O	DB-25 connector (female). Contains shutter interface signals and status, interlocks, low speed faults, and system warning.	Table 5-7 (p. 97) and Table 5-8 (p. 98)
Embedded Diagnostics	RJ-45 LAN connector Remote diagnostics and status information.	"Embedded Diagnostics & Fault Matrix" (p. 125) in the operator's manual
Power Indication LEDs	Located on Ethernet connector. Green emission indicates DC power is on (48 VDC). Amber (flashing) indicates network traffic or an Internet connection.	Figure 5-1 (above)

5.2 Real Time Control and Status Interface

J-3 Series lasers share many similar characteristics with earlier laser model as regards Real Time Control and Fault status reporting. Table 5-2 defines the details for the J-3 Series.

Table 5-2. J-3 Series Status and Control Details

Status or Control	J-3 Series
Faults	A J-3 Series latching fault requires system reset in order to resume operation.
Enable/Fault Reset Signal (Pin #3 and #16)	Enable: Required for operation. Enable must be asserted <i>after</i> system 48 VDC power-up. Fault Reset: Required for system reset in the case of fault condition.
System Fault (Pins #4 and #17)	This (added) signal indicates a latching system fault. Signal is high speed and the system fault asserts within microseconds of the laser being shut off.

5.2.1 Fault Types

Provided is a detailed definition and description of the J-3 Series faults as illustrated in Figure 5-2.

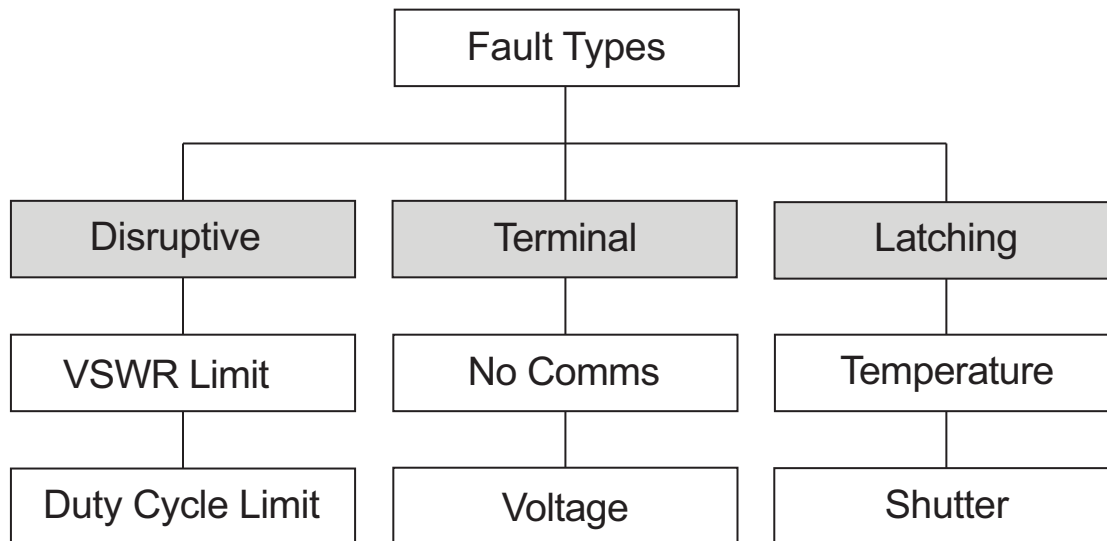


Figure 5-2. Types of J-3 Series Faults

- **Disruptive (VSWR and Duty Cycle Limit)** - These faults indicate that a fault condition occurred during operation. These are high speed fault types. They indicate that the J-3 Series control circuitry detected a fault condition and corrected it automatically. The user should check the output of the equipment to ensure that the end product was properly produced in the case of a disruptive fault. These faults are indicated on dedicated pin assignments.
- **Terminal** - These faults are detected on system power-up. Detection of a terminal fault condition will prevent system operation. Terminal faults are signaled by asserting the SYSTEM_FAULT line. Use the Ethernet interface to determine which condition caused the fault.
- **Latching (Temperature and Shutter)** - These faults indicate a serious J-3 Series problem and cause immediate system shutdown. These faults are latched and system operation can only be restored by correcting the fault condition and toggling the enable/fault reset signal. These faults are indicated on dedicated pin assignments.

The latching faults and disruptive faults have dedicated pins on the Real Time I/O connector. Terminal faults require an Ethernet connection to diagnose fully.

5.2.2 Real Time Control and Status I/O Description

The control and status signals are summarized in Table 5-3 and are accessed through the Real Time I/O DB25 connector on the control panel. To operate the laser, two input signals are required, as indicated in Table 5-3. In order to monitor the condition of the system, five output signals are provided and recommended for use in the user's control system. Detailed descriptions and pinouts of the control connector interface are provided in Table 5-4.

Table 5-3. Real Time Control and Status Interface

Identification	Brief Description	Connection
Input Signals		
MODULATION	Controls laser average output power through input of pulse width and pulse period.	Required
ENABLE/FAULT RESET	Enables laser operation. System reset after fault condition.	Required
Output Signals		
DUTY CYCLE LIMIT	Warning indicating that the system has exceeded the maximum duty cycle.	Recommended
VSWR LIMIT	Warning indicating an abnormally high amount of reflected RF power has occurred.	Recommended
ANALOG FORWARD	Signal proportional to the forward RF voltage.	Recommended
ANALOG REFLECTED	Signal proportional to the reflected RF voltage.	Recommended
SYSTEM FAULT	Indicates a system fault or warning	Recommended

Table 5-4. Real Time Control and Status I/O Pinouts

Pin	Function	Description
1	ANALOG FORWARD —Output signal	Analog output signal representing forward RF power from the RF amplifier to the laser head.
2	ANALOG REFLECTED —Output signal	Analog output signal representing reflected RF power from the laser head.

Table 5-4. Real Time Control and Status I/O Pinouts (Continued)

Pin	Function	Description
3	ENABLE/FAULT-RESET —Input signal	Enable is required in order to operate system. Enable must be asserted after 48 DC power is applied. This is accomplished by connecting pin # 3 to a RETURN. Fault reset is required in order to re-establish operation after a system fault occurs. This is accomplished by opening then reconnecting pin # 3 to a RETURN. This pin should not be used for safety interlock.
4 (+) and 17 (–)	SYSTEM FAULT —Output signal	Active high, differential, digital, output signal indicating that a system fault is present.
7 (+) and 20 (–)	MODULATION —Input signal	Differential input signal that controls the laser output. Laser output power will be present for the duration of this pulse only. See the model specific specifications for allowed pulse durations.
10 (+) and 23 (–)	DUTY CYCLE LIMIT —Output signal	Differential digital signal that is only valid when laser output is commanded (MODULATION input high). A logic high on this signal when laser output is commanded indicates that the commanded modulation exceeds the model-specific duty cycle or pulse width limit. This signal only goes high for that portion of the modulation command which is in violation of the model-specific duty cycle or pulse width limit. Therefore, this signal indicates which portion of the commanded modulation input is being inhibited due to the fault condition. A logic low on this signal when laser output is commanded indicates that the input modulation command is within acceptable limits. This signal is at logic low when laser output is not commanded (MODULATION input low).
11 (+) and 24 (–)	VSWR LIMIT —Output signal	Differential digital signal that is only valid when laser output is commanded (MODULATION input high). A logic high on this signal when laser output is commanded indicates that the reflected RF power exceeds the safe operating limit and that the protection circuit is active. This signal goes high only for that portion of the input modulation command when the VSWR protection circuit is active. Therefore, this signal indicates which portion of the commanded modulation input is being inhibited due to the fault condition. A logic low on this signal when laser output is commanded indicates that the input modulation command is within acceptable limits. This signal is at logic low when laser output is not commanded (MODULATION input low).
14, 15, 16	RETURN	Reference for pin 1, 2, and 3
5, 6, 8, 9, 12, 13, 18, 19, 21, 22, & 25	RESERVED	Do Not Connect

5.2.3 Input Signal Requirements

The two inputs required to operate the laser are the ENABLE and MODULATION signals. Figure 5-3 shows the schematic of the input circuit for these two signals.

After the application of DC power, connecting the ENABLE to RETURN enables laser system operation. The ENABLE/RETURN connection must be opened and then closed to clear a latching fault.

The second function required to operate the laser is the MODULATION signal. This signal will determine the laser “on” interval typically called the pulse width. The time interval between the start of one “on” period and the next “on” period is called the pulse period. The pulse width must be in the legal range for the specific model type. MODULATION pulse widths longer than allowed will automatically be limited to the maximum allowed pulse width by the protection circuit in the RF power module. The duty cycle must be no greater than the maximum allowed. The duty cycle is the ratio of the pulse width divided by the pulse period and then multiplied by 100. If either the duty cycle or the pulse width exceeds these limits, a warning will occur on the DUTY CYCLE LIMIT output. A more complete description of this signal and typical waveforms follow later in this section.

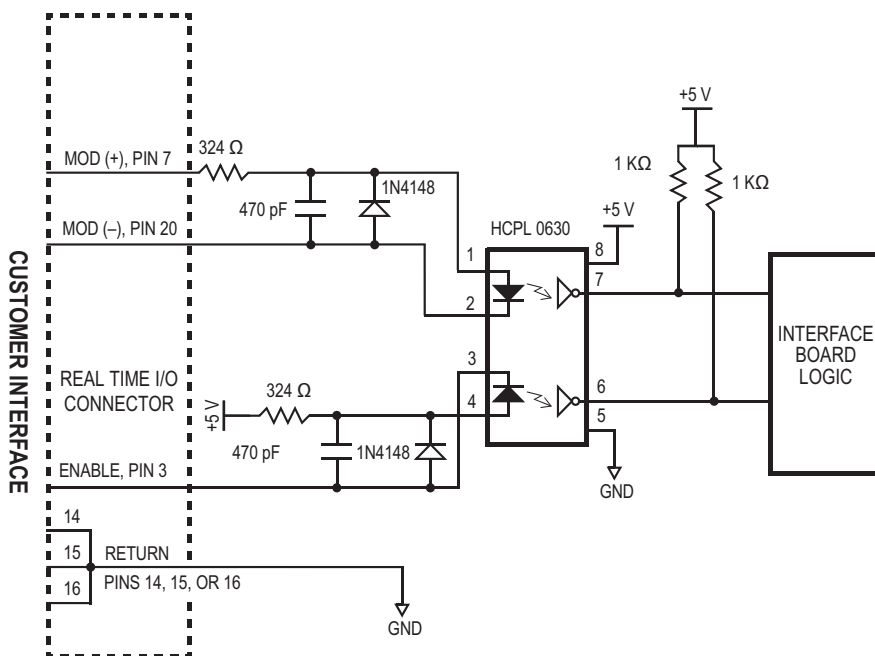


Figure 5-3. Real Time I/O Input Circuit for Laser Operation

5.2.4 Drive Circuit for RF Power Module

An example of a drive circuit to interface to the ENABLE and MODULATION inputs is shown in Figure 5-4.

The MODULATION input interface shown in Figure 5-4 is designed to be driven by a differential line driver meeting the requirements of EIA Standard RS-422A. Common mode voltage on the driver signals should be kept as low as possible and cannot exceed $\pm 15V$ relative to the laser system ground. Examples of suitable line drivers are indicated in Table 5-5.

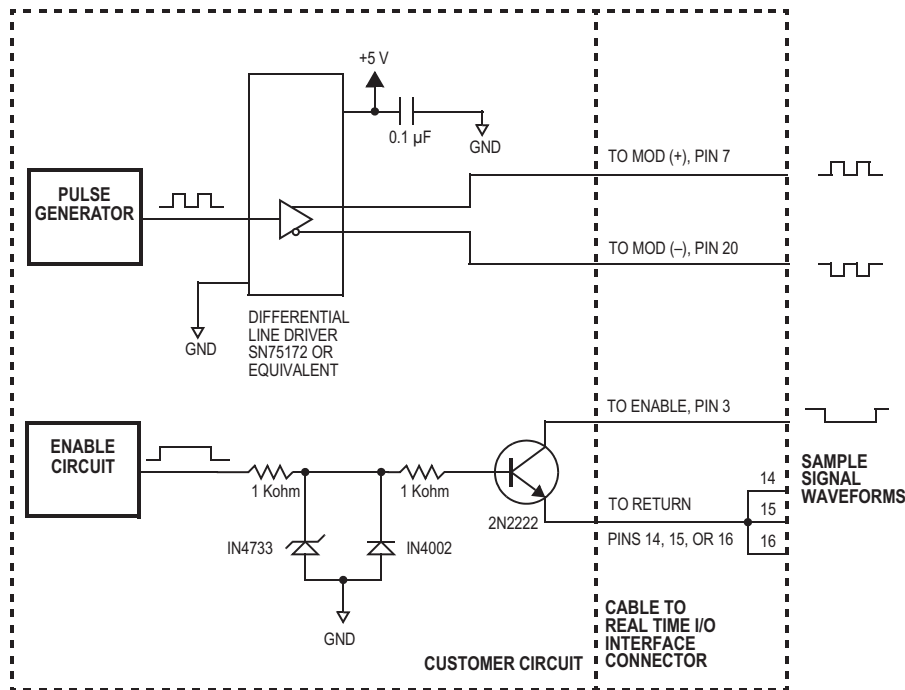
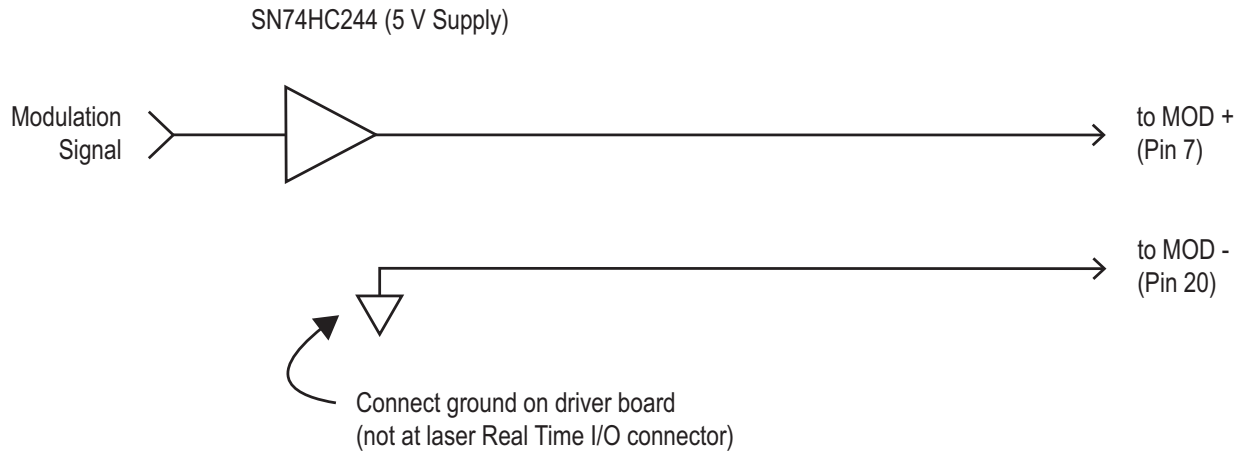


Figure 5-4. Typical Drive Circuit for Real Time Control

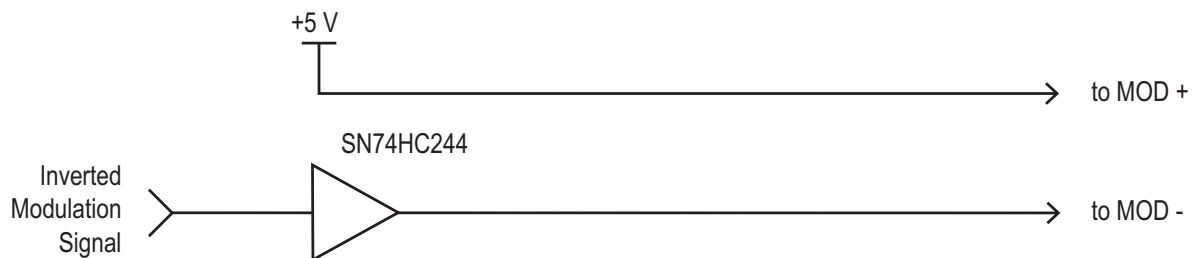
Table 5-5. Examples of Line Drivers Meeting RS-422A

Device Part Number	Description	Manufacturer	Mfg Web Site
SN75172	Quad Driver	Texas Instruments	www.ti.com
AM26LS31C			
AM26C31			
SN75ALS191	Dual Driver	On Semiconductor	www.onsemi.com
DS26LS31C	Quad Driver		
MC75172			

Alternatively, the MODULATION and ENABLE inputs may be driven by a single-ended circuit. Examples of single-ended driver circuits are shown in Figure 5-5.



OR:



Or, use SN74HC240 (inverting version of 74HC244) with inverted modulation for the top configuration, and non-inverted modulation for the bottom configuration.

Figure 5-5. Single-Ended Driver Circuit

5.2.5 Output Signal Recommendation

There are five output signals from the Real Time I/O Interface Connector. Four of these indicate the status of the laser system. These four outputs (duty cycle limit, VSWR limit, analog forward, and analog reflected) provide useful information to the user on the function of the laser system. Figure 5-6 shows a schematic of the output circuits located in the RF power module interface circuit. Although monitoring of these four outputs is not required, it is strongly recommended for the overall ease of use of the complete system.

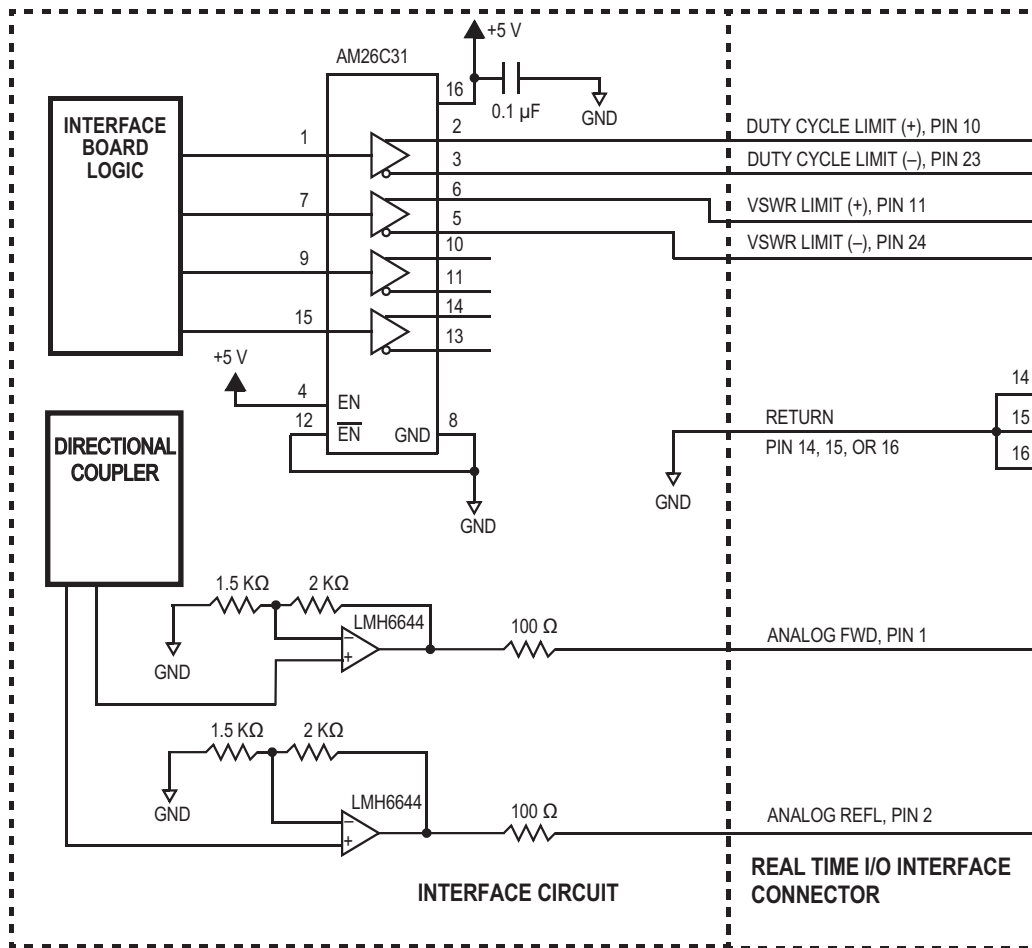


Figure 5-6. Real Time Control and Status Interface Schematic

The purpose of these signals is to warn the user of potential faults and can assist in the diagnosis of several types of operating problems. A common situation when these warnings are useful is when incorrect pulse widths and pulse periods have been selected. An example would be selecting a duty cycle of 70% (max. duty cycle = 60%) and the user observing unstable laser performance. The warning indicator DUTY CYCLE LIMIT will show the error and make it possible to rapidly correct this problem.

5.2.6 Output Signal Description

Coherent recommends using both VSWR LIMIT and DUTY CYCLE LIMIT to directly monitor disruptive faults. This class of faults allows operation but is disruptive and can lead to unwanted results.

The DUTY CYCLE LIMIT and the VSWR LIMIT disruptive faults indicate when the control circuitry in the RF power module is activated and limiting the operation of the RF power module. When these functions are activated, the output power of the laser can be unstable or much lower than expected. If there is a DUTY CYCLE LIMIT warning, then check the MODULATION pulse width and pulse period to ensure that they are not exceeding the model specific maximum duty cycle limit or maximum pulse width.

The VSWR LIMIT indicates that the ratio of the reflected RF voltage to the forward RF voltage has exceeded a preset limit. In some transient starting situations, the VSWR LIMIT disruptive fault will be activated. Coherent recommends checking the status of this indicator about 100 ms after starting the MODULATION signal. If the disruptive fault signal persists during stable operation, additional diagnostics can be performed using techniques presented in "Maintenance and Troubleshooting" (p. 111) and in "Embedded Diagnostics & Fault Matrix" (p. 125) in the operator's manual to determine if the problem resides in the laser head or the RF power module.

5.2.7 Monitoring Circuit Example

An example of a monitoring circuit that can be connected to the output of the Real Time I/O interface circuit is indicated in Figure 5-7.

The J-3 Series output circuits shown in Figure 5-6 on page 87 are designed to use line receivers meeting the requirements of EIA Standard RS-422A. Common mode voltages on the drive signals should be kept as low as possible and cannot exceed ± 15 Volts relative to the laser system ground. Examples of suitable line receivers are shown in Table 5-6 (p. 89).

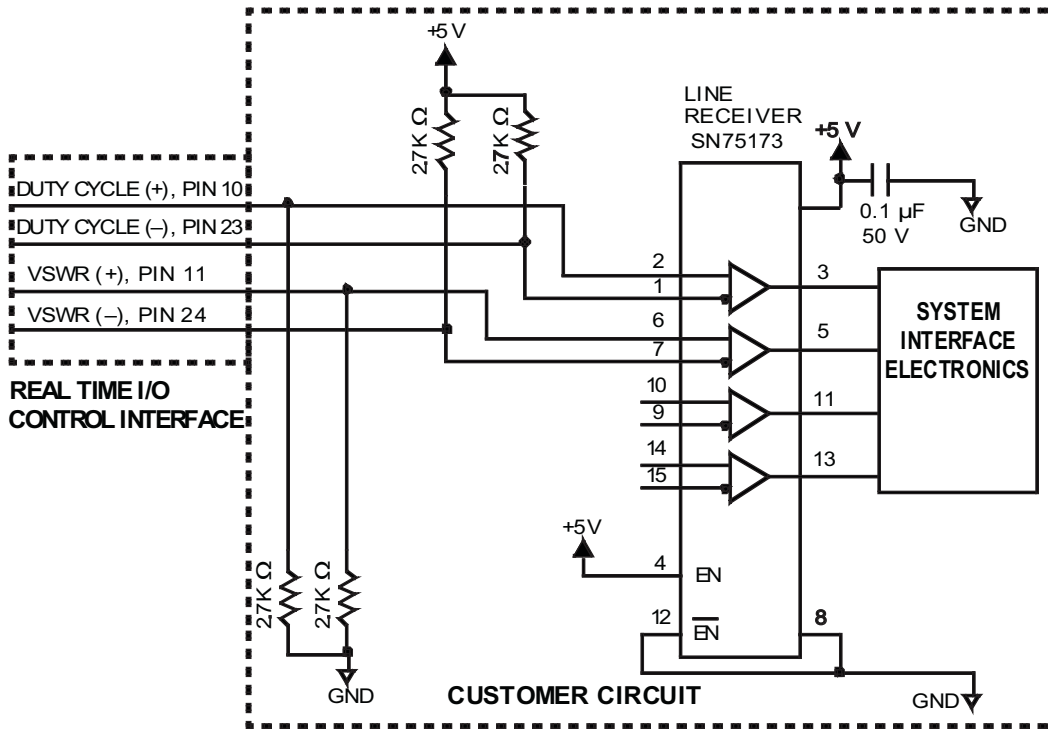


Figure 5-7. Typical Monitoring Circuit
Example Status Monitor (Real Time I/O Control and Status Interface)

Table 5-6. Examples of Line Receivers Meeting RS-422A

Device Part Number	Description	Manufacturer	Mfg Web Site
SN75173	Quad Receiver	Texas Instruments	www.ti.com
AM26LS32A			
MC3486			
AM26C32			
SN75157			
DS26LS32C	Quad Receiver		

5.3 Control Using Diamond Remote Control

A Remote Controller is available for use with the J-3 Series laser, see Figure 5-8 below. This remote may be purchased under part number 1228720. Contact Coherent for additional information. For specifications and operating instructions, refer to the Diamond OEM/Industrial Lasers Remote Control Operator's Manual, part number 1235412.

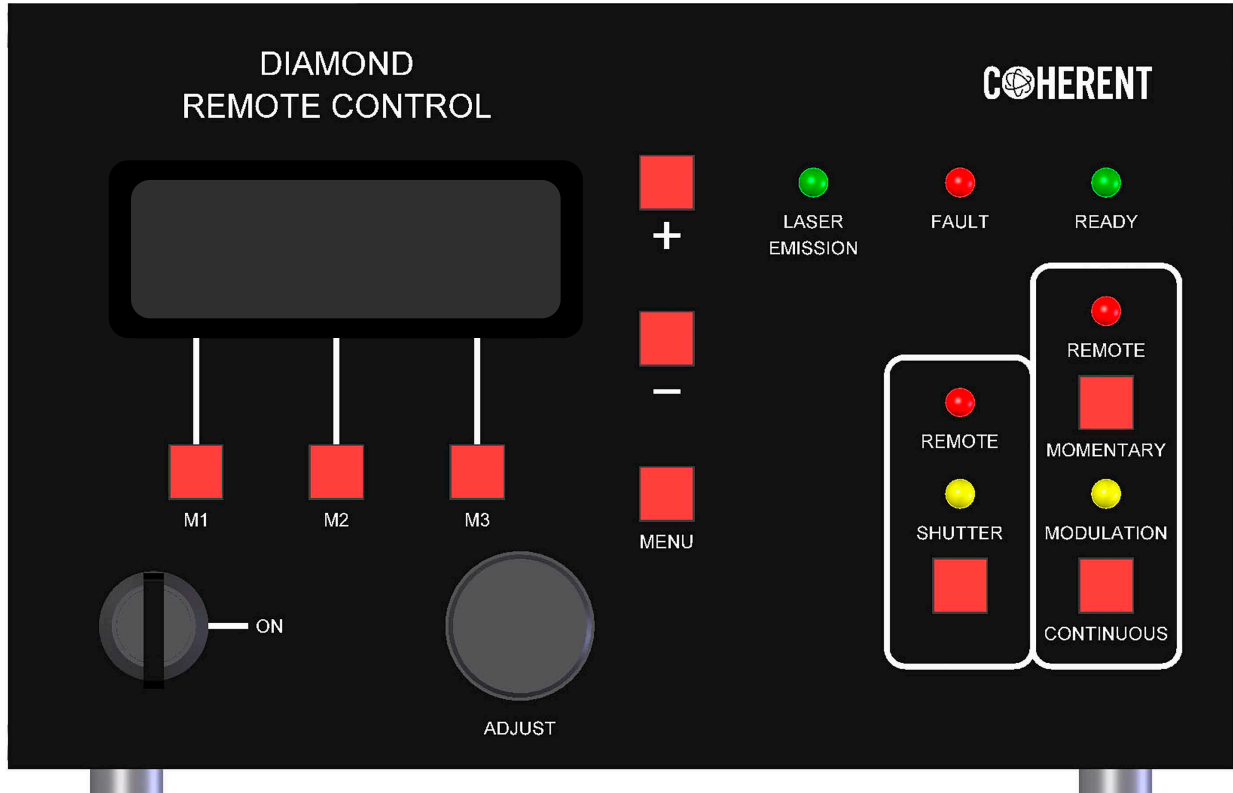


Figure 5-8. Diamond Remote Control

5.4 Simmer

The simmer is enabled as soon as DC power is applied to the system, as long as the system interlock is closed. (At any time, opening the system interlock will disable both modulation and simmer.) If the simmer pulses are unable to cause breakdown of the gas after a model specific time period, their duration will be limited by the control electronics to an unconditionally safe state.

Whenever the user applies modulation, the simmer is turned off. No new simmer pulses will be generated until no modulation has been applied for an entire simmer period (typically 1000 μ s for most models). If a repetitive modulation signal with an off time of less than the simmer period (for example, the inverse of the simmer period at 10% duty cycle, with an off time of 900 μ s) is applied, no simmer pulses will be generated. Any repetitive modulation signal with a frequency greater than 1 kHz will inhibit all simmer pulses, but a repetitive modulation signal with a frequency less than 1 kHz also inhibit all simmer pulses if the off time is less than 1000 μ s.

5.4.1 Simmer Faults

There are two fault conditions that are monitored and reported by the simmer logic: Simmer Discharge Loss and Simmer Feedback Loss which are described in greater detail below. These faults are reported to the user in the log file and web page activity window as described in “Embedded Diagnostics & Fault Matrix” on page 125. These faults are also reported on the VSWR LIMIT output signal on pins 11 and 24 of the Real Time Control and Status I/O connector. Since simmer is only active when modulation is not applied the presence of a VSWR LIMIT fault in the absence of a modulation signal indicates that a simmer fault has been detected. The specific simmer fault can be determined by referring to the log file or activity window. Once modulation is applied the function of the VSWR LIMIT signal reverts to that described elsewhere in this manual.

5.4.2 Simmer Discharge Loss Fault

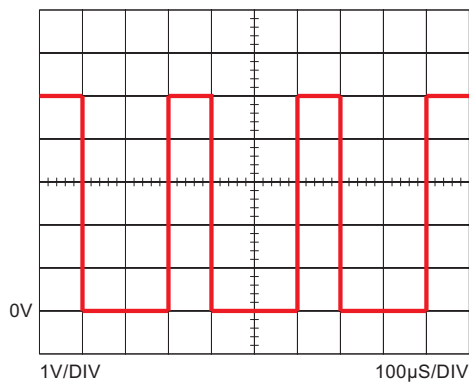
The Simmer Discharge Loss fault indicates that the simmer logic did not detect a valid plasma ignition event in the maximum time allowed for a simmer pulse. The presence of this fault indicates that laser ignition has degraded and that an effective simmer discharge is no longer being generated. This fault may appear on a transient basis, particularly if the laser has been off for an extended period. However, if the fault persists, the laser may require service to remedy this condition.

5.4.3 Simmer Feedback Loss Fault

The Simmer Feedback Loss fault indicates that the feedback signals expected from the RF Power Module (RFPM) are either missing or inadequate for proper operation of the simmer logic. If this condition is detected the simmer logic limits the simmer pulses to an inherently safe minimum value. Since the RFPM feedback signals are also used by the VSWR protection logic the presence of this fault indicates that VSWR protection is faulty and the unit should be promptly serviced to prevent damage to the RFPM.

5.5 Output Signal Waveforms

Figure 5-9, Figure 5-10 on page 94 and Figure 5-11 provide representative input and resulting output signals under normal operation, a VSWR fault condition and a duty cycle fault condition respectively. Each figure provides a detailed description of the input signals and the resulting output signals.



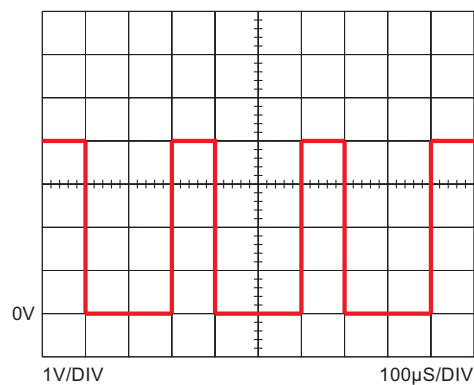
Modulation (+): Input
pin 7 (reference pin 14)

Pulse Width = 100 μ s

Pulse Period = 300 μ s

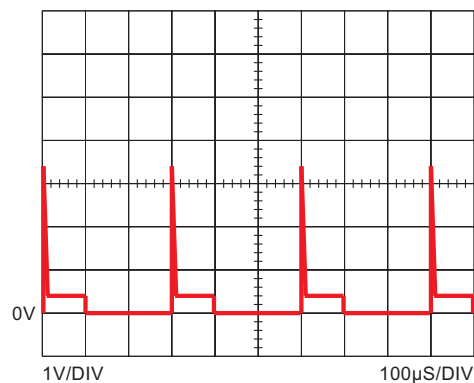
Duty Cycle = 33%

Laser is ON when modulation signal is high



Analog Forward: Output
pin 1 (reference pin 14)

Analog Forward signal is high anytime the modulation signal is active (high) and within specification.



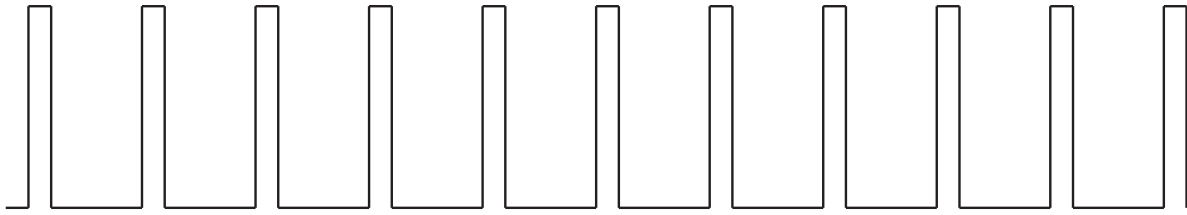
Analog Reflected (+): Output
pin 2 (reference Pin 14)

Analog Reflected signal remains low when the modulation signal is high, except for a short spike at the leading edge of the pulse.

Figure 5-9. RF Amplifier Output Signals - Normal Operating Conditions

Modulation

(pin 7 referenced to pin 14)



1. If VSWR fault is detected on the first pulse,

Analog Forward

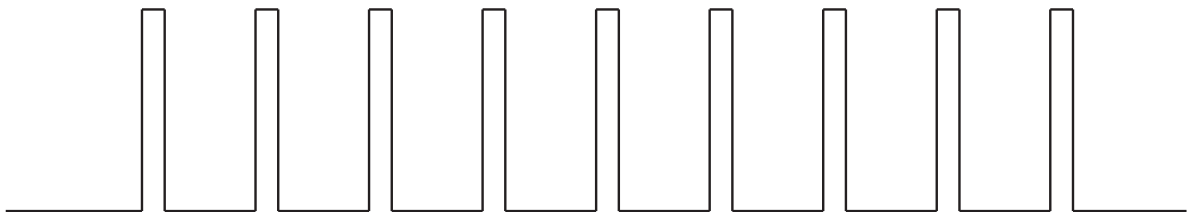
(pin 1 referenced to pin 14) RF is applied to the laser during a HI condition.



2. Subsequent pulses are suppressed until the VSWR controller algorithm determines it is safe to resume delivery of forward power.

VSWR Limit

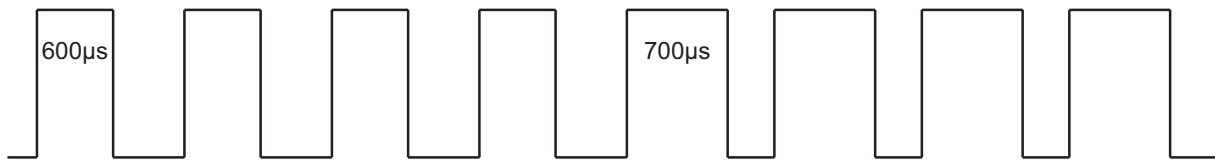
(pin 11 referenced to pin 14)



3. Pulses suppressed due to a VSWR Fault appear as HI pulses on VSWR Limit.

Figure 5-10. RF Amplifier Output Signals - VSWR Fault for a 60% Duty Cycle Limit Example

Modulation
(pin 7 referenced to pin 14)

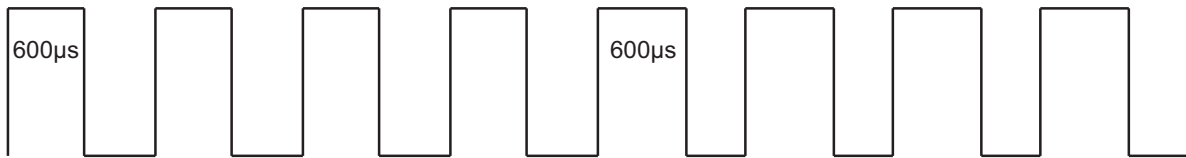


Normal (Legal)
PP = 1000 µs
PW = 600 µs
Duty Cycle = 60%

Changed to:
PP = 1000 µs
PW = 700 µs
Duty Cycle = 70% (ILLEGAL)

Analog Forward

(pin 1 referenced to pin 14) RF is applied to the laser during a HI condition.



PW limited to 600µs or
Duty Cycle limited to 60%
(portion of pulse exceeding
either is suppressed)

Duty Cycle Limit

(pin 10 referenced to pin 14)



Duty Cycle Limit signal HI
for portion of suppressed pulses

**Figure 5-11. RF Amplifier Output Signals - Duty Cycle Fault for a 60% Duty Cycle Limit
(See Datasheet for Model Specific Duty Cycle Limit)**

5.6 Extended Interface Connector and Signal Descriptions

The Extended Interface connector gives the user access to more monitoring and control features of J-3 Series laser systems. There are 3 inputs and 4 outputs on this connector that are described in Table 5-7 (p. 97). Pin assignments and signal specifications are described in Table 5-8 (p. 98).

5.6.1 System Interlock

A System Interlock input signal is required to enable modulation to the laser. This input can also be used to disable modulation when put in series with a safety circuit.

The System Interlock pin is connected to the coil of a relay, and the other end of the coil is connected to + 48 VDC. Therefore, the open-circuit voltage of this pin is 48 V with an impedance of 7680 Ω . In normal operation, this pin is either connected directly to ground with a short wire jumper, or drives an external interlock loop which can be opened with electromechanical switches. It should not be driven directly by a logic IC, unless it is a high-voltage peripheral driver capable of withstanding 48 V and capable of sinking at least 7 mA.

5.6.2 Shutter Control and Status

The Shutter Interlock input signal is used to indicate to the system that a shutter is available (the shutter is an optional component on some model types) and to enable the shutter. The shutter is commanded to the open or closed state by sending the appropriate signal to the shutter command input. Signals are also available to monitor the shutter's position, one for the Shutter Closed Status and one for the Shutter Open Status. Finally, there is a shutter latching fault signal that indicates if the shutter is in a fault condition or is stuck between opening and closing.

The Shutter Interlock pin is connected to the coil of a relay, and the other end of the coil is connected to + 24 VDC. Therefore, the open-circuit voltage of this pin is 24 V with an impedance of 2880 Ω . In normal operation, this pin is either connected directly to ground with a short wire jumper, or drives an external interlock loop which can be opened with electromechanical switches. It should not be driven directly by a logic IC, unless it is a high-voltage peripheral driver capable of withstanding 24 V and capable of sinking at least 9 mA.

5.6.3 Over Temperature Fault

This output signal indicates that the operating temperature is above a safe operating condition. The presence of this latching fault will shut down the system.

5.7 Extended Interface Signal Descriptions

Table 5-7. Extended Interface Signal Descriptions

Identification	Brief Description	Connection
Input Signals		
Shutter Command	Opens and closes shutter (if shutter option is installed)	Required*
System Interlock	Enables modulation	Required
Shutter Interlock	Enables shutter operation	Required*
Output Signals		
Shutter Closed Status	Signals that shutter is closed	Recommended*
Shutter Open Status	Signals that shutter is open	Recommended*
Shutter Latching Fault	Indicates a shutter fault	Recommended*
Over Temperature Latching Fault	Indicates an unsafe temperature condition	Recommended
*Note: Shutter signals apply if shutter option is installed		



NOTICE

The optional shutter is provided for beam blocking purpose only. This shutter is not to be used for beam modulation (as a 'process shutter').

5.8 Extended Interface Pin Descriptions

Table 5-8. Extended Interface Pin Descriptions

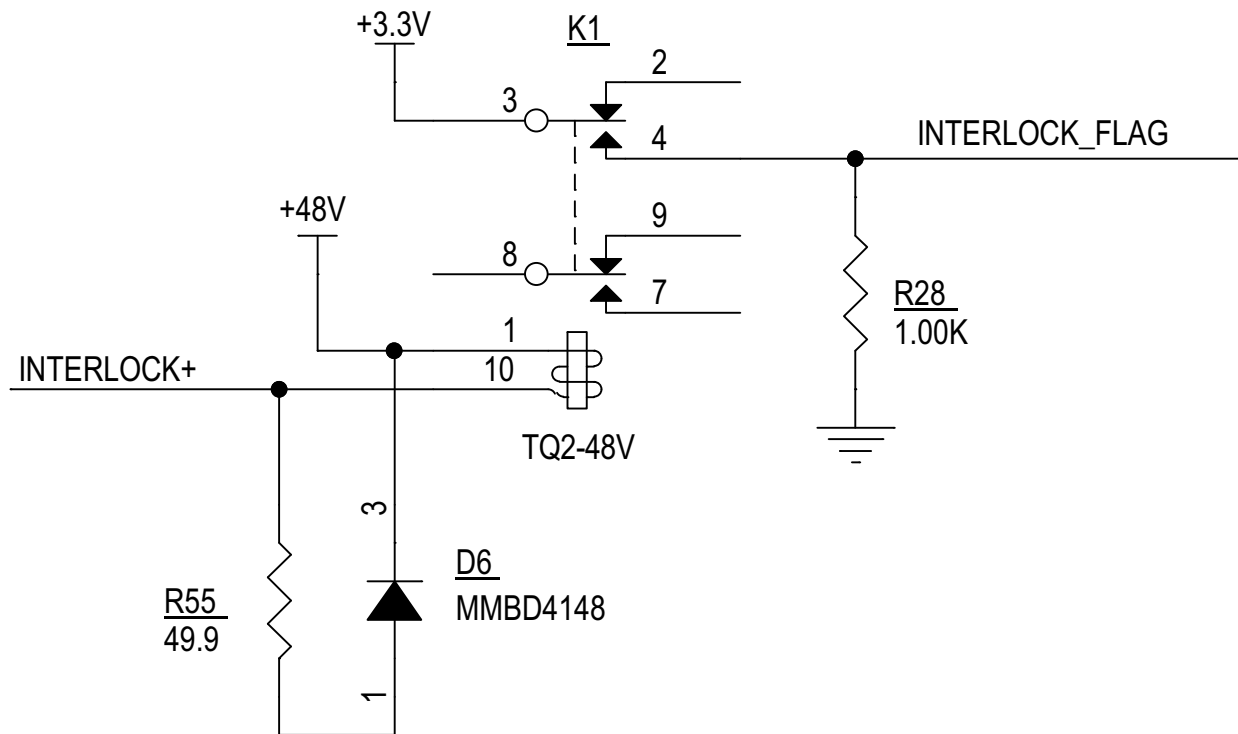
Pins	Function	Description
1, 2, 7, 11, 14, 19, & 21	Reserved	Do not connect.
9 (+) and 22 (-)	Shutter Closed Status	Active high, differential, digital, output signal indicating the shutter is closed. This output signal will be asserted when the shutter is present and closed. During latching faults, this signal will not be present since the shutter is disabled.
10 (+) and 23 (-)	Reserved	Do not connect.
12, 13	Return	Reference for pins 24, 25
15 (+) and 3 (-)	Shutter Command	Active high, digital, input signal that commands the shutter to open. This input signal is used to command the operation of the shutter.
16 (+) and 4 (-)	Reserved	Do not connect.
17 (+) and 5 (-)	Shutter Open Status	Active high, differential, digital, output signal indicating the shutter is open. This output signal will be asserted when the shutter is present and open. During system faults, this signal will not be present since the shutter is disabled.
18 (+) and 6 (-)	Shutter Latching Fault	Active high, differential, digital, output signal indicating that there is a shutter fault. This output signal will be asserted when a shutter fault has been detected. There are two conditions which can cause a shutter fault. First, if the shutter takes too long to swing from open to closed and vice versa. Second, a fault will be generated if the customer is commanding the shutter to be closed and the shutter closed status signal is not detected. For the purposes of fault detection, shutter open, shutter moving, or neither open nor closed are tested for determining a fault condition. A Shutter Latching Fault causes system shutdown.
20 (+) and 8 (-)	Over Temperature Fault	Active high, differential, digital, output signal indicating an operating temperature outside an allowed range has occurred. This output signal will be asserted when any peripheral microcontroller detects a temperature that is outside the allowed temperature range. Refer to "Data Reader Software Guide" (p. 147) for ranges. Over temperature latching fault is a system fault that causes shutdown.

Table 5-8. Extended Interface Pin Descriptions (Continued)

Pins	Function	Description
24	System Interlock	This pin must be connected to pin 12 (return) for laser to operate. It has priority over all other interlocks. (Note: open-circuit voltage is 48 V with an impedance of 7680 Ω .)
25	Shutter Interlock	This pin must be connected to pin 13 (return) for the shutter to operate. This signal does not inhibit system operation. If the system does not have a shutter, the Shutter Interlock must be left open. (Note: open-circuit voltage is 24 V with an impedance of 2880 Ω .)

5.8.1 System Interlock Circuit

Figure 5-12 shows the interlock schematic for the System Interlock Circuit. INTERLOCK+ goes to pin 24 of Extended I/O. INTERLOCK_FLAG is an internal signal used to enable and disable laser operation. Note that the INTERLOCK+ has an open-circuit voltage of 48 V, and the relay coil resistance is 7680 Ω . The Shutter Interlock circuit is similar, but the open-circuit voltage is 24 V, and the coil resistance is 2880 Ω .

**Figure 5-12. System Interlock Circuit**



Diamond J-3 Series OEM Lasers Preinstallation Manual
©Coherent Corp, 4/2024 (RoHS), printed in the USA and Thailand
Part No. 1279711 Rev. AJ



INNOVATIONS THAT RESONATE



Diamond J-3 Series OEM Lasers Preinstallation Manual
© 2024 Coherent Corp. (RoHS) Printed in the USA and Thailand
Part No. 1279711 Rev. AJ