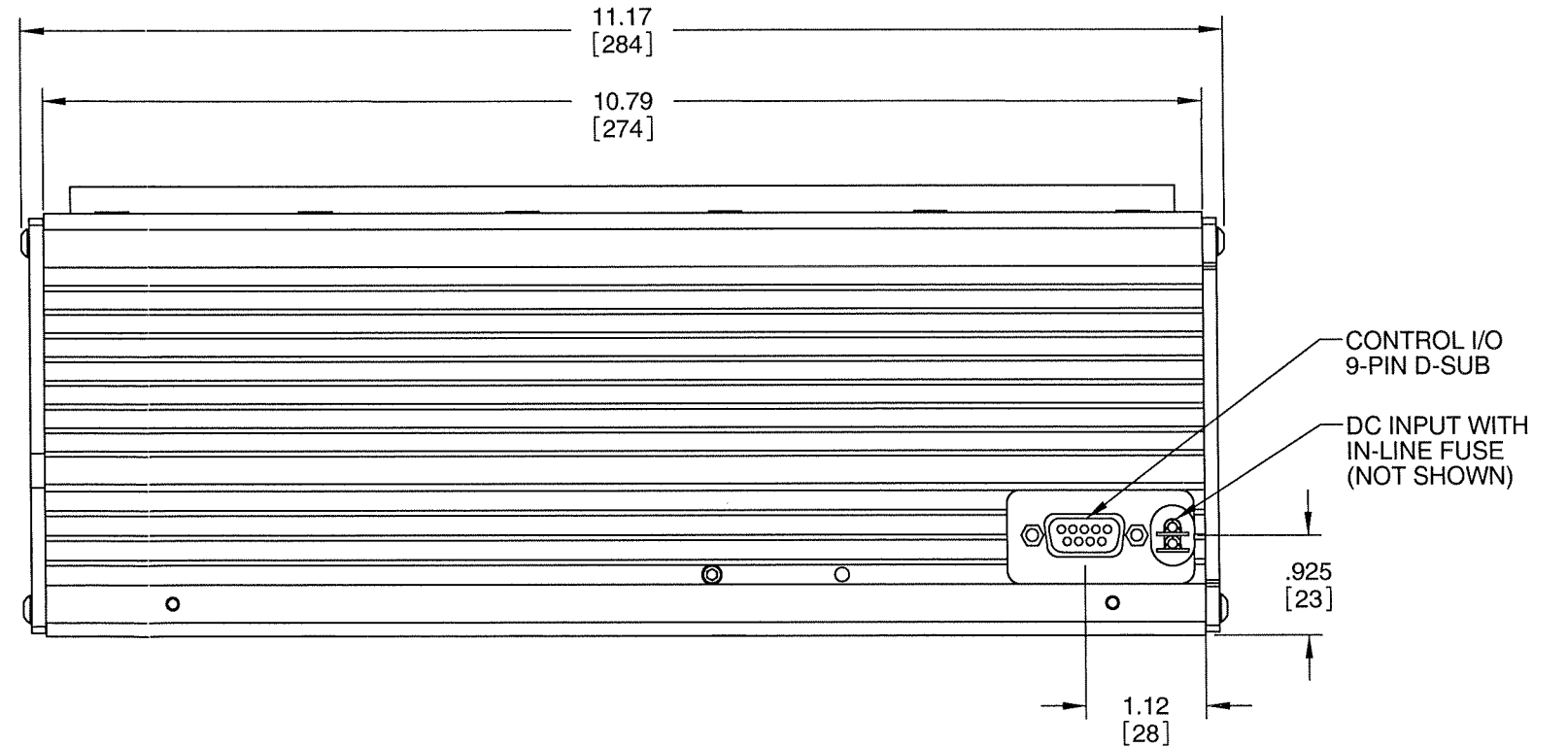
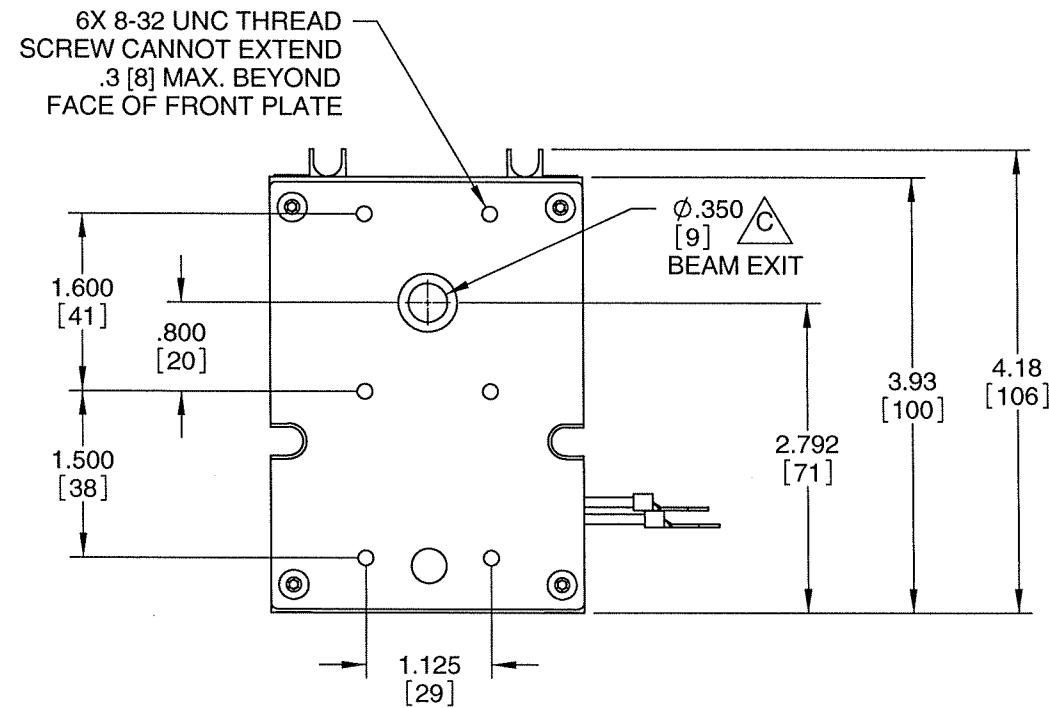
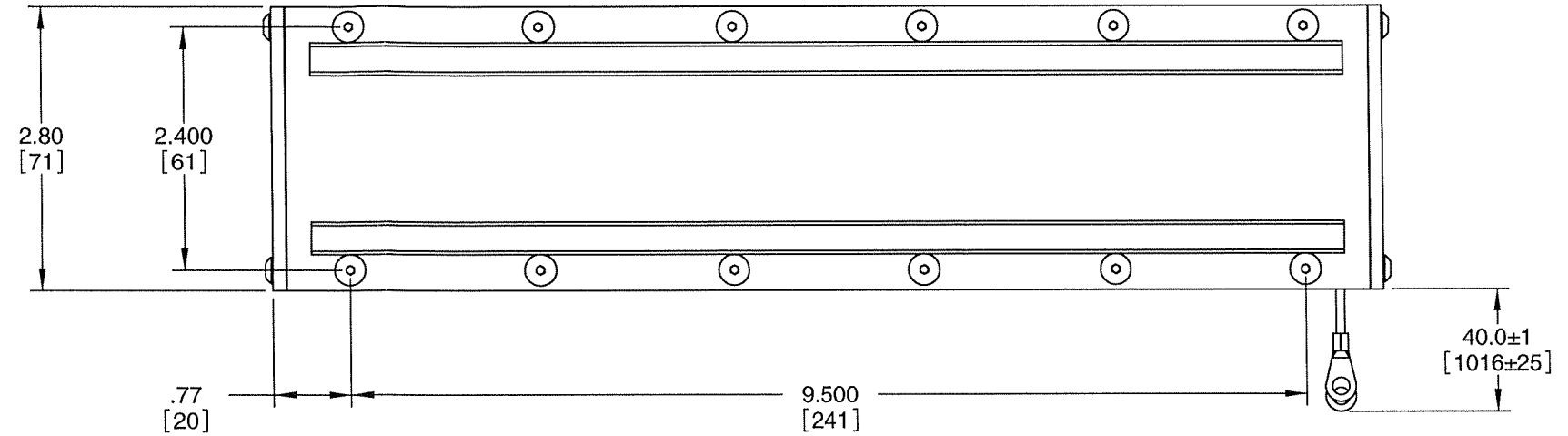



NOTES:

1. DIMENSIONS IN [ ] ARE MILLIMETERS.

| REV | ECO  | DATE      | DESCRIPTION                            | DB  |
|-----|------|-----------|--|-----|
| C   | 3912 | 15-Aug-08 | ADD BEAM EXIT Ø, CONVERT TO SOLIDWORKS | DMD |



|                                |  |  |  |  |  |
|--------------------------------|--|--|--|--|--|
| TOLERANCES UNLESS NOTED:       |  | PROPRIETARY<br>THIS DRAWING IS PROPRIETARY TO SYNRAD INC. AND SHALL NOT BE USED OR DISCLOSED IN WHOLE OR IN PART WITHOUT WRITTEN PERMISSION OF SYNRAD INC. |  |  SYNRAD INC.<br>4600 Campus Place<br>Mukilteo, WA 98275<br>Phone: (425)349-3500<br>Fax: (425)349-3667 |  |
| .x = ± 0.1      ANGLE = ± 0.5° |  |  |  |  |  |
| .xx = ± 0.01                   |  |  |  |  |  |
| .xxx = ± 0.005                 |  | DESCRIPTION: <b>OUTLINE &amp; MOUNTING - LASER, 32-1SAB</b>  |  |  |  |
| MATERIAL:                      |  | PART NUMBER: 300-18899-01  |  | DWG/FILE NUMBER: 300-18899-01  |  |
| FINISH:                        |  | SHEET 1 of 1    ENG: .   |  | DRAWN BY: K. Johnson    DATE: 23-Jun-03  |  |
|                                |  | UNITS: Inches    CATEGORY: .   |  | CHECKED BY: <i>[Signature]</i> DATE: 8.15.08   |  |
|                                |  | SIZE: B    FINISH CLASS: .   |  | APPROVED BY: <i>[Signature]</i> DATE: 8/25/2008  |  |