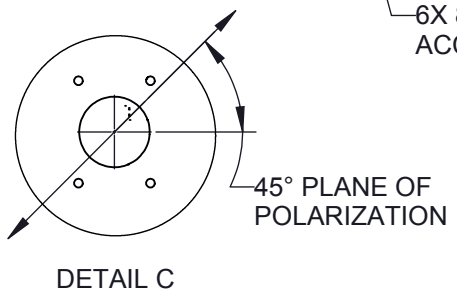
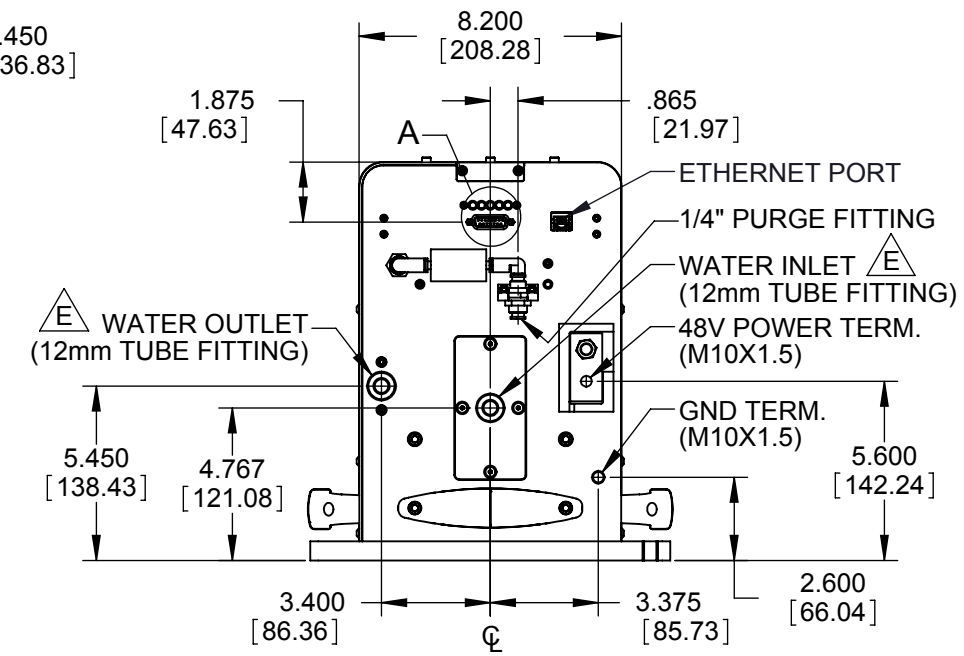
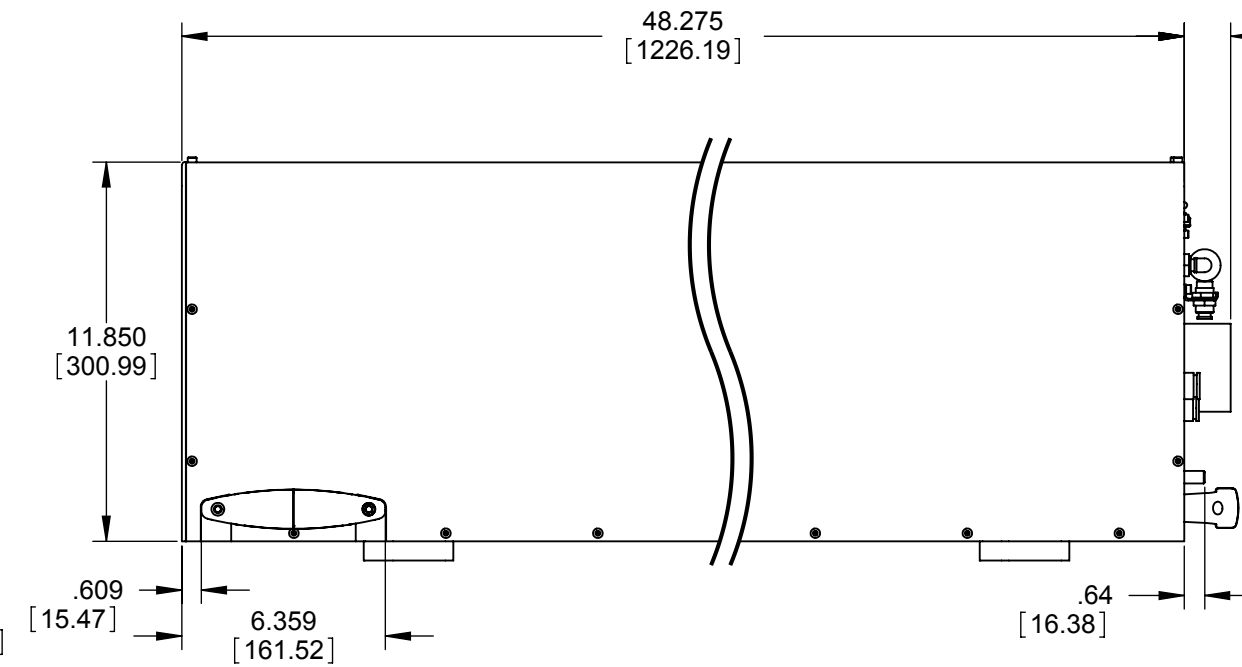
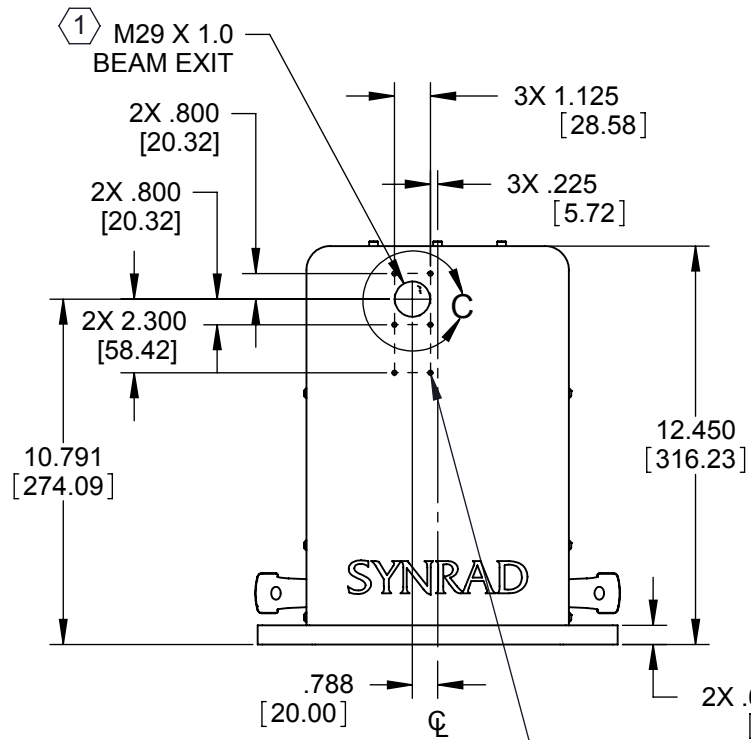
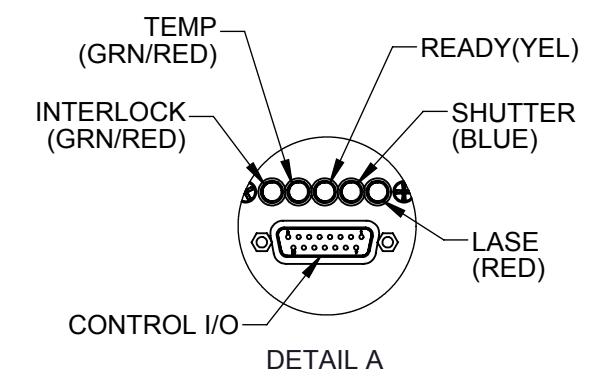
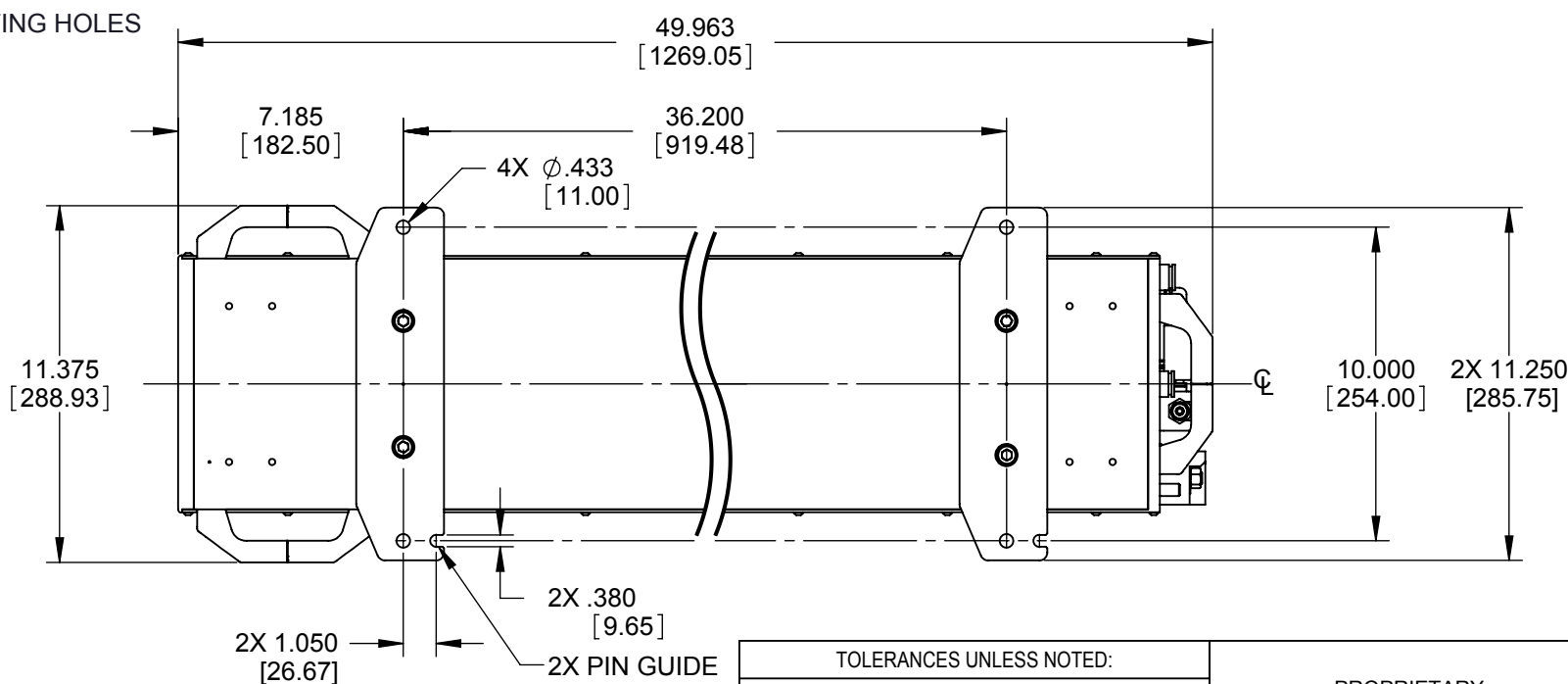


REV	ECO	DATE	DESCRIPTION	DB
C	4470	16-Nov-11	UPDATE TO SHOWN BASE PLATE CHANGES	DMD
D	4474	3-Jan-12	ADD/UPDATE NOTES	DMD
E	4702	19-Mar-13	CHANGE TO 12mm FITTINGS	DMD



OPTION 'A' MOUNTING



- NOTES:
- ① BEAM CENTERED IN APERTURE WITHIN ±1.0mm
 - ② THIS MOUNTING HOLE PATTERN USED FOR BOTTOM ACCESS FASTENING.

TOLERANCES UNLESS NOTED:	
.x = ± .1	ANGLE = ± .5°
.xx = ± .01	
.xxx = ± .005	
MATERIAL:	
.	
FINISH:	
.	

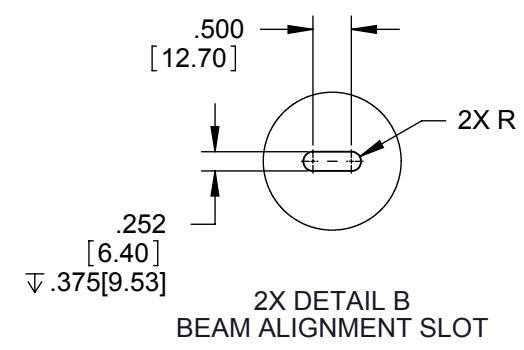
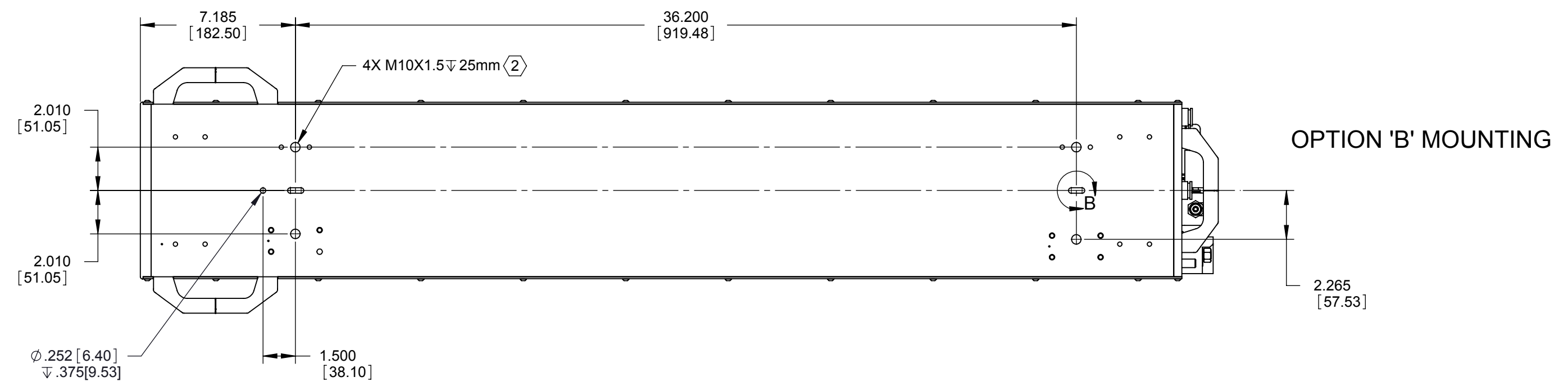
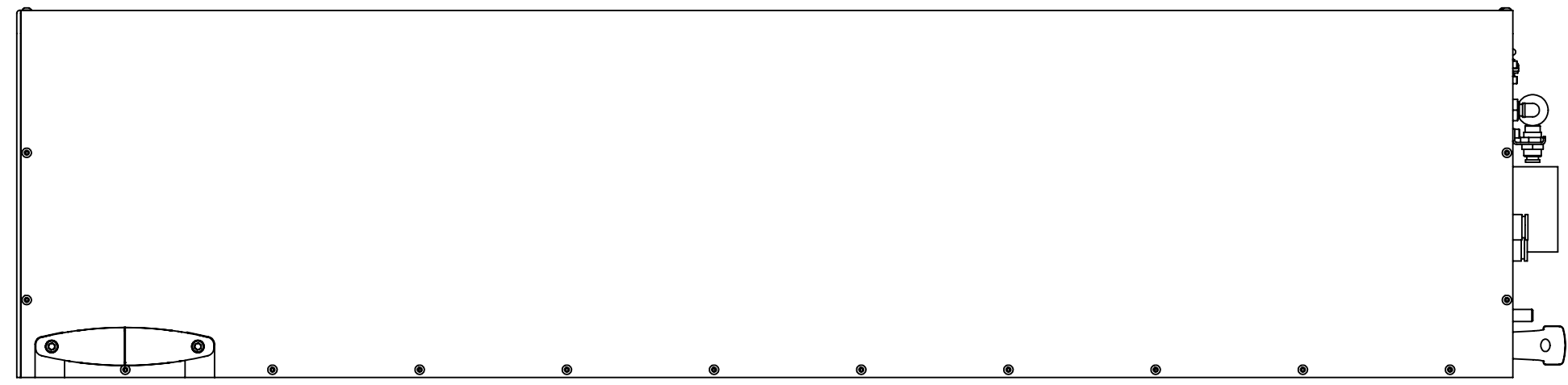
PROPRIETARY
 THIS DRAWING IS PROPRIETARY TO
 SYNRAD INC. AND SHALL NOT BE
 USED OR DISCLOSED IN WHOLE
 OR IN PART WITHOUT WRITTEN
 PERMISSION OF SYNRAD INC.




SYNRAD INC.
 4600 Campus Place
 Mukilteo, WA 98275
 Phone: (425)349-3500
 Fax: (425)349-3667

DESCRIPTION: OUTLINE & MOUNTING, i401			
PART NUMBER: 300-20151-01		DWG/FILE NUMBER: 300-20151-01	
SHEET 1 of 2	ENG: .	DRAWN BY: D. DUVAL	DATE: 6-Jan-11
UNITS: Inches	CATEGORY: .	CHECKED BY:	DATE:
SIZE: B	FINISH CLASS: .	APPROVED BY:	DATE:

REV	ECO	DATE	DESCRIPTION	DB
C	4470	16-Nov-11	UPDATE TO SHOWN BASE PLATE CHANGES	DMD
D	4474	3-Jan-12	ADD/UPDATE NOTES	DMD
E	4702	19-Mar-13	CHANGE TO 12mm FITTINGS	DMD



TOLERANCES UNLESS NOTED:		PROPRIETARY THIS DRAWING IS PROPRIETARY TO SYNRAD INC. AND SHALL NOT BE USED OR DISCLOSED IN WHOLE OR IN PART WITHOUT WRITTEN PERMISSION OF SYNRAD INC.		 SYNRAD INC. 4600 Campus Place Mukilteo, WA 98275 Phone: (425)349-3500 Fax: (425)349-3667	
.x = ± .1 ANGLE = ± .5°					
.xx = ± .01					
.xxx = ± .005		DESCRIPTION: OUTLINE & MOUNTING, i401			
MATERIAL:		PART NUMBER: 300-20151-01 OPTION B		DWG/FILE NUMBER: 300-20151-01	
FINISH:		SHEET 2 of 2	ENG: .	DRAWN BY: D. DUVAL	DATE: 6-Jan-11
.		UNITS: Inches	CATEGORY: .	CHECKED BY:	DATE:
.		SIZE: B	FINISH CLASS: .	APPROVED BY:	DATE:
.					