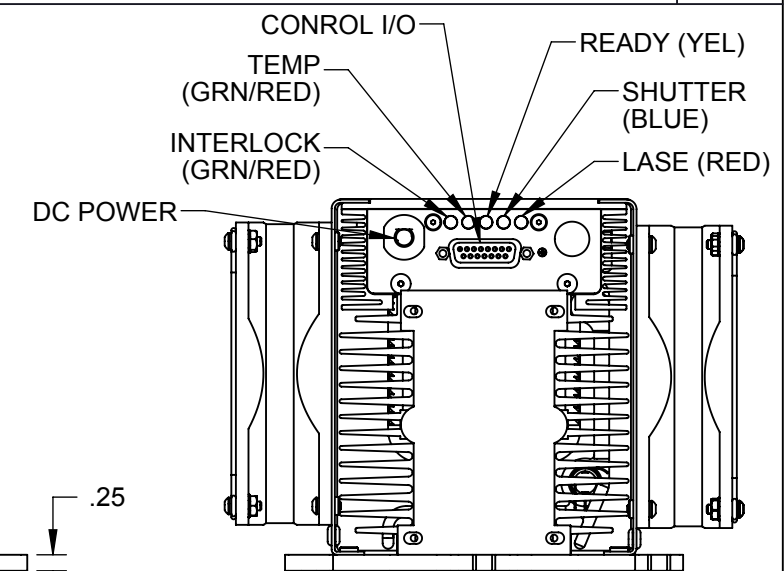
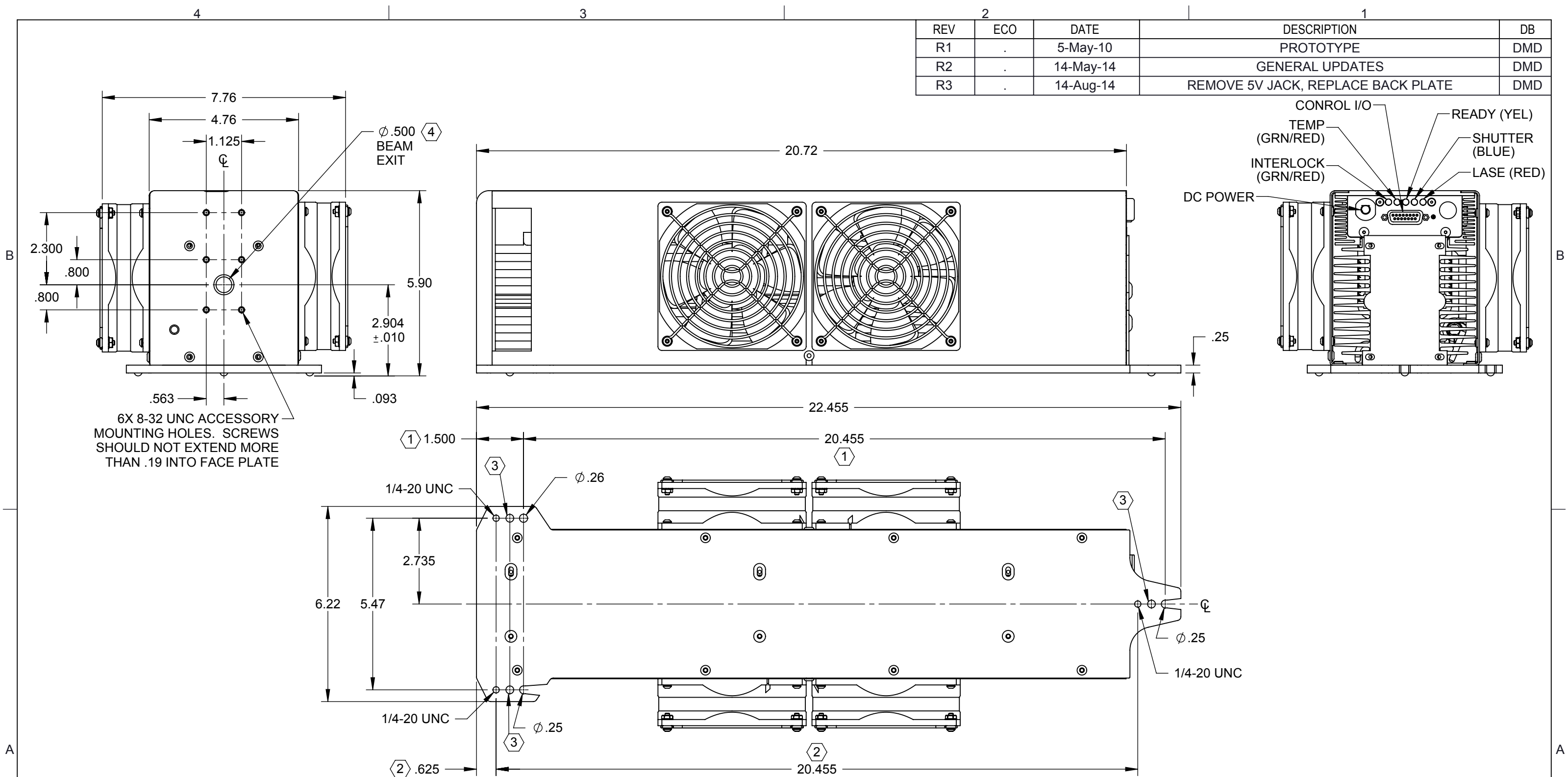



REV	ECO	DATE	DESCRIPTION	DB
R1	.	5-May-10	PROTOTYPE	DMD
R2	.	14-May-14	GENERAL UPDATES	DMD
R3	.	14-Aug-14	REMOVE 5V JACK, REPLACE BACK PLATE	DMD



6X 8-32 UNC ACCESSORY MOUNTING HOLES. SCREWS SHOULD NOT EXTEND MORE THAN .19 INTO FACE PLATE

- NOTES:
- ① THIS HOLE PATTERN USED WHEN TOP ACCESS FASTENING DESIRED.
 - ② THIS HOLE PATTERN USED WHEN BOTTOM ACCESS FASTENING DESIRED.
 - ③ HARDENED BALL MOUNTING POINT ($\phi .250$ STEEL BALL).
 - ④ BEAM PATH MAY NOT BE CENTERED OR PERPENDICULAR TO FACEPLATE APERTURE.

TOLERANCES UNLESS NOTED:		PROPRIETARY THIS DRAWING IS PROPRIETARY TO SYNRAD INC. AND SHALL NOT BE USED OR DISCLOSED IN WHOLE OR IN PART WITHOUT WRITTEN PERMISSION OF SYNRAD INC.		 SYNRAD INC. 4600 Campus Place Mukilteo, WA 98275 Phone: (425)349-3500 Fax: (425)349-3667	
.x = $\pm .1$	ANGLE = $\pm .5^\circ$				
.xx = $\pm .01$					
.xxx = $\pm .005$		DESCRIPTION: OUTLINE & MOUNTING, Ti100, FAN			
MATERIAL:		PART NUMBER: 300-20169-01		DWG/FILE NUMBER: 300-20169-01	
FINISH:		SHEET 1 of 1		DRAWN BY: D. DUVALL	
		ENG: .		DATE: 5-May-10	
		UNITS: Inches		CHECKED BY:	
		CATEGORY: .		DATE:	
		FINISH CLASS: .		APPROVED BY:	
		SIZE: B		DATE:	
				REV. R3	