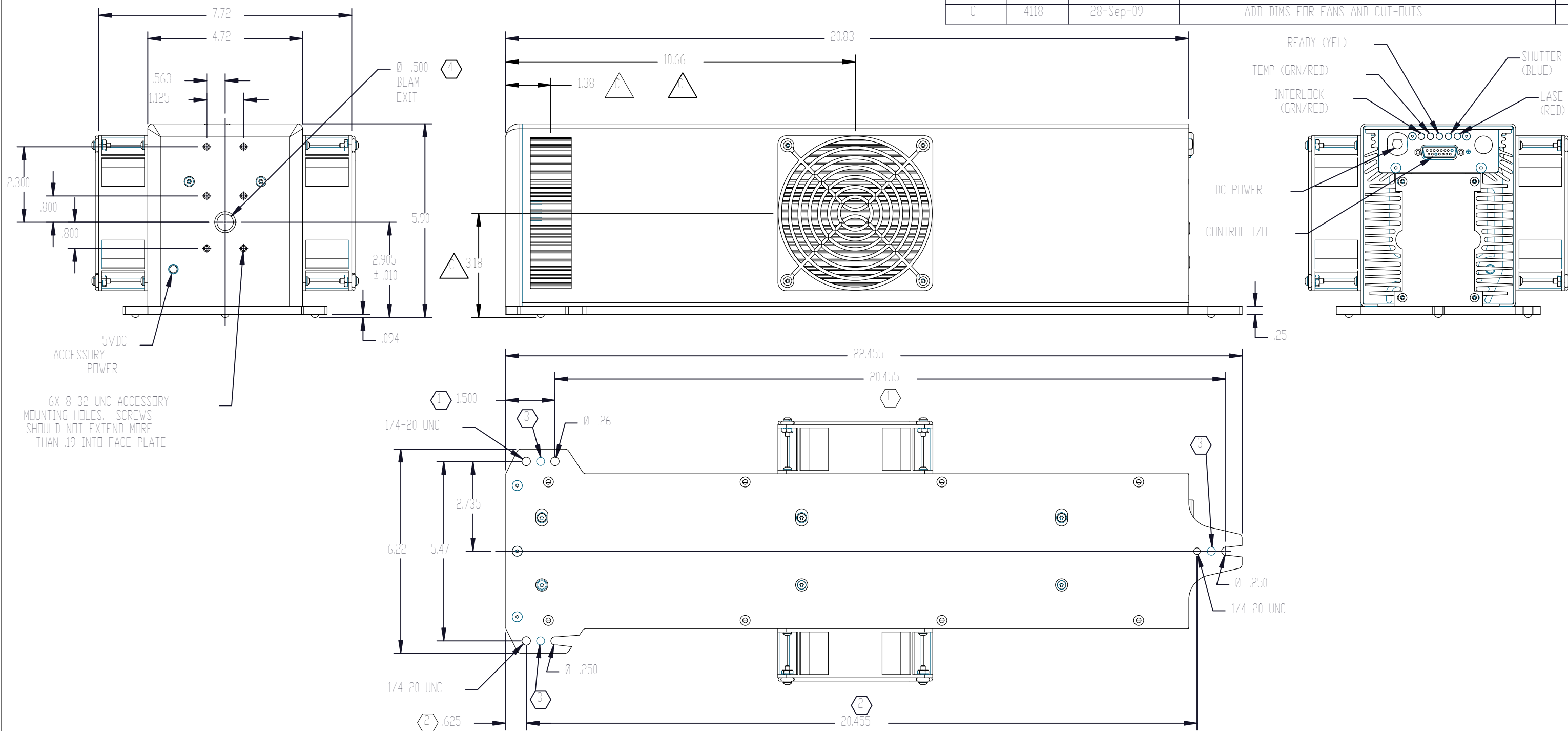
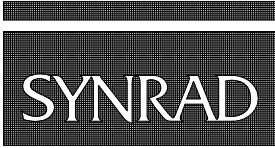


REV	ECO	DATE	DESCRIPTION	DB
A	4045	14-May-09	RELEASE TO PRODUCTION	DMD
B	4107	9-Sep-09	ADD NOTE 4	DMD
C	4118	28-Sep-09	ADD DIMS FOR FANS AND CUT-OUTS	DMD



6X 8-32 UNC ACCESSORY MOUNTING HOLES. SCREWS SHOULD NOT EXTEND MORE THAN .19 INTO FACE PLATE

- NOTES:
- ① THIS HOLE PATTERN USED WHEN TOP ACCESS FASTENING DESIRED.
 - ② THIS HOLE PATTERN USED WHEN BOTTOM ACCESS FASTENING DESIRED.
 - ③ HARDENED BALL MOUNTING POINT (Ø.250 STEEL BALL).
 - ④ BEAM PATH MAY NOT BE CENTERED OR PERPENDICULAR TO FACEPLATE APERTURE.

TOLERANCES UNLESS NOTED:		PROPRIETARY THIS DRAWING IS PROPRIETARY TO SYNRAD INC. AND SHALL NOT BE USED OR DISCLOSED IN WHOLE OR IN PART WITHOUT WRITTEN PERMISSION OF SYNRAD INC.		 SYNRAD INC. 4600 Campus Place Mukilteo, WA 98275 Phone: (425)349-3500 Fax: (425)349-3667			
.x = ± .						DESCRIPTION: OUTLINE & MOUNTING, FAN-COOLED, Ti60	
.xx = ± .						PART NUMBER: 300-19847-02	
.xxx = ± .		DWG/FILE NUMBER: 300-19847-02		DRAWN BY: D. DUVAL			
MATERIAL:		SHEET 1 of 1		DATE: 10-Mar-09			
FINISH:		UNITS: Inches		CHECKED BY:			
		SIZE: B		APPROVED BY:			
		FINISH CLASS:		DATE:			