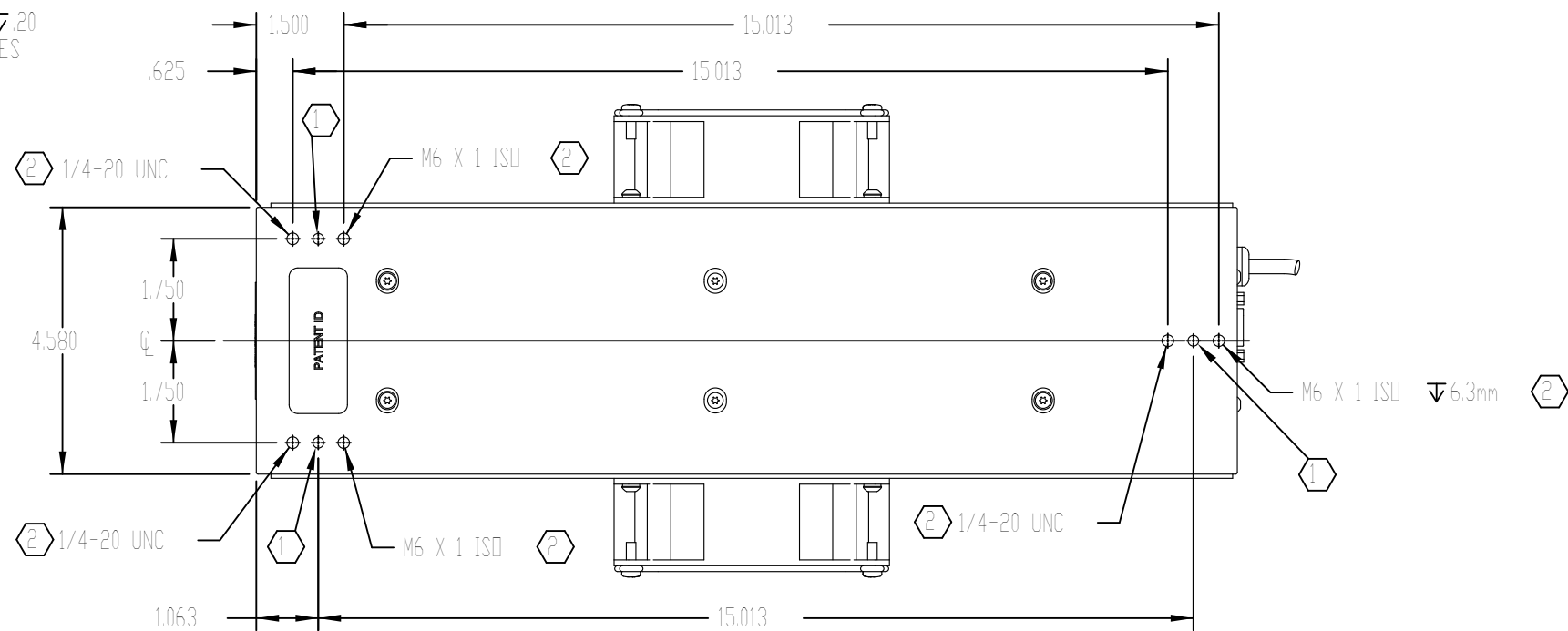
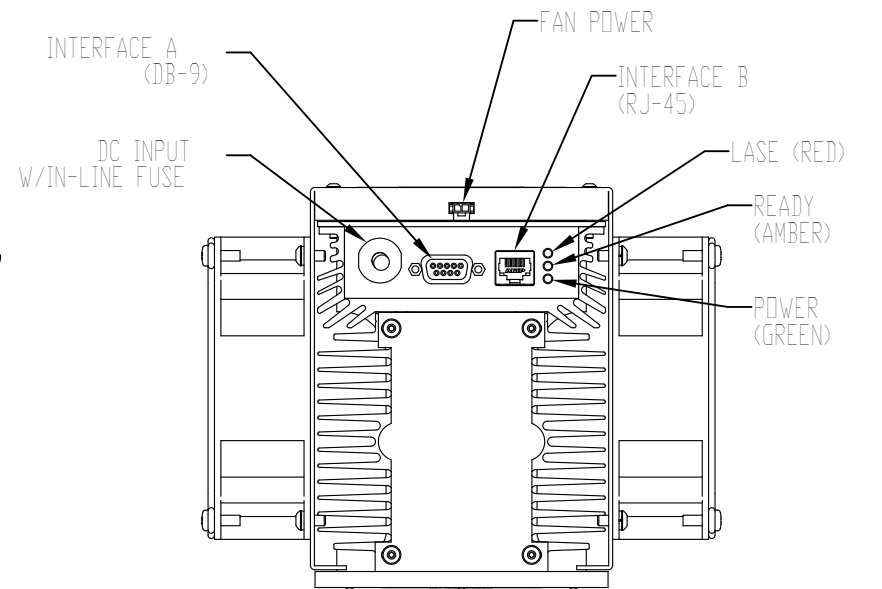
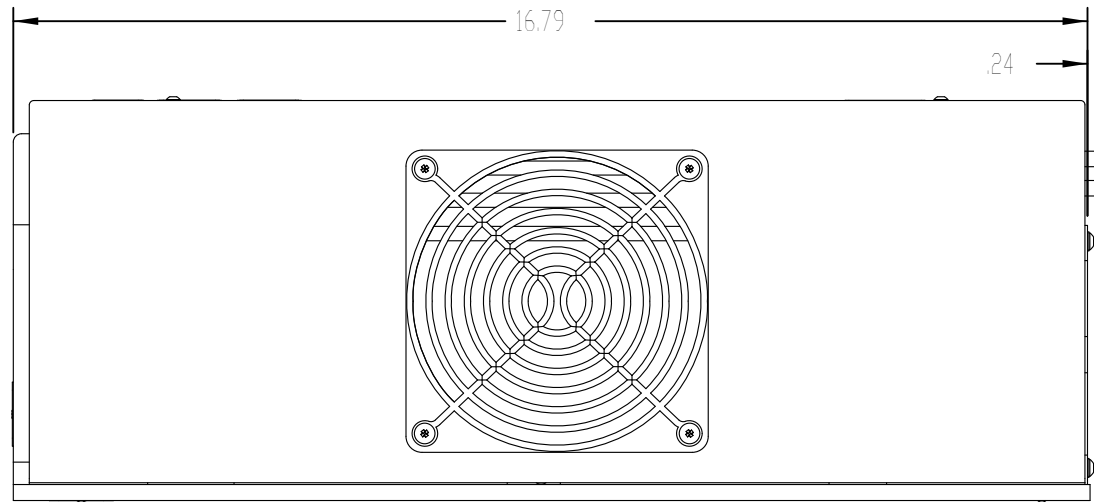
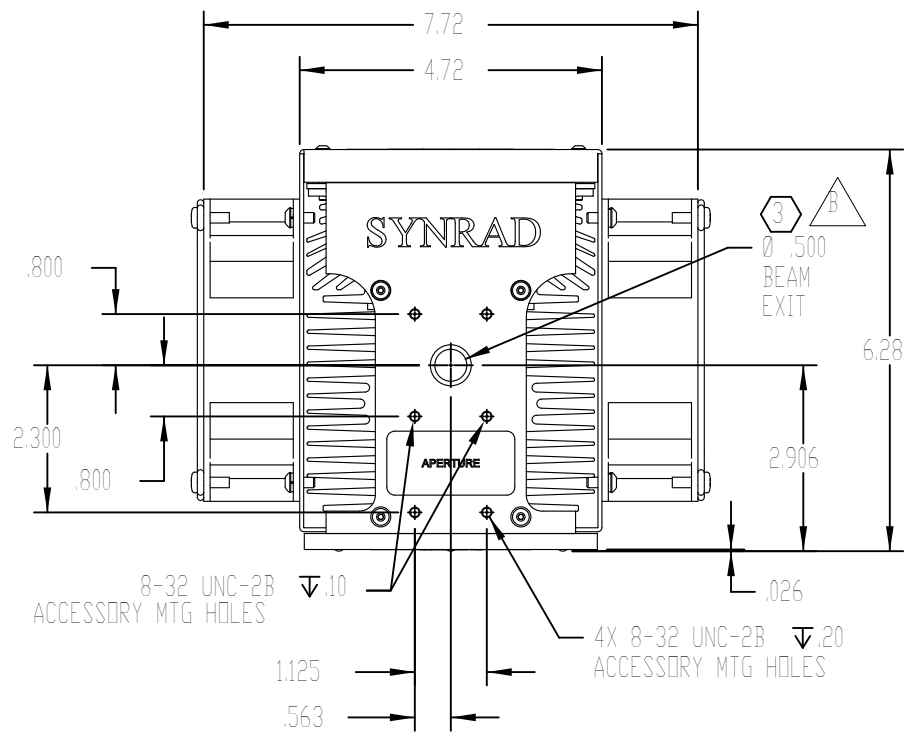



REV	ECD	DATE	DESCRIPTION	DB
A	3952	8-Jan-09	RELEASE TO PRODUCTION	DMD
B	4107	9-Sep-09	ADD NOTE 3	DMD



NOTES:

- ① HARDENED BALL MOUNTING POINT, 3X (Ø.1875 BALL BEARING).
- ② THIS MOUNTING HOLE PATTERN USED FOR BOTTOM ACCESS FASTENING.
- ③ BEAM PATH MAY NOT BE CENTERED OR PERPENDICULAR TO FACEPLATE APERTURE.

TOLERANCES UNLESS NOTED:		PROPRIETARY THIS DRAWING IS PROPRIETARY TO SYNRAD INC. AND SHALL NOT BE USED OR DISCLOSED IN WHOLE OR IN PART WITHOUT WRITTEN PERMISSION OF SYNRAD INC.		 SYNRAD INC. 4600 Campus Place Mukilteo, WA 98275 Phone: (425)349-3500 Fax: (425)349-3667	
.x = ± 0.1 ANGLE = ± 2.0 °					
.xx = ± 0.01					
.xxx = ± 0.005		DESCRIPTION: OUTLINE & MOUNTING, FAN-COOLED V30, OEM			
MATERIAL:		PART NUMBER: 300-18965-02		DWG/FILE NUMBER: 300-18965-02	
FINISH:		SHEET 1 of 1		DRAWN BY: D. DUVAL	
		UNITS: Inches		DATE: 8-Jan-09	
		SIZE: B		APPROVED BY:	