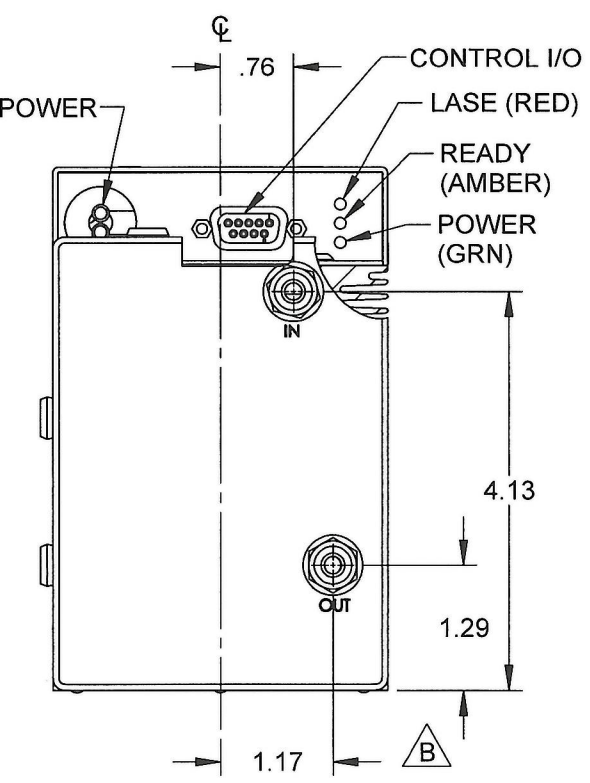
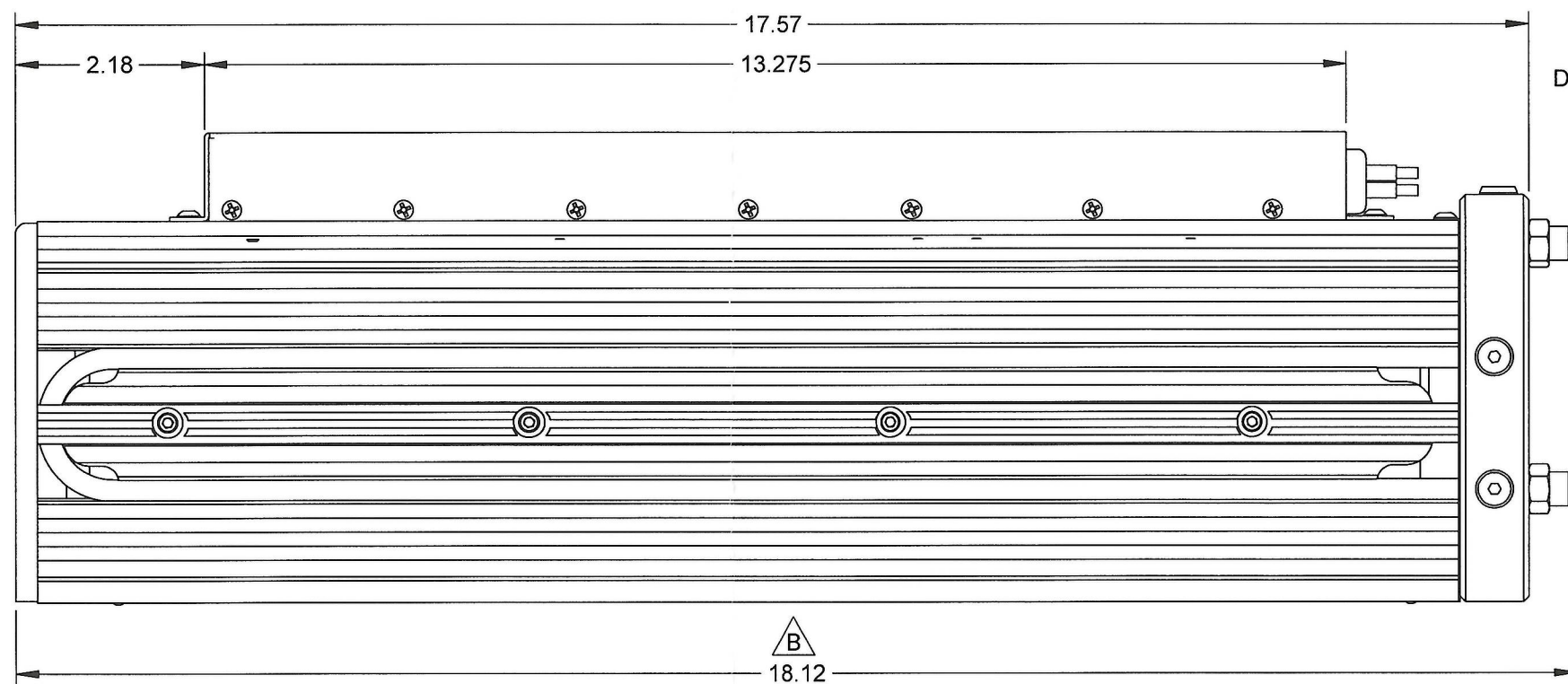
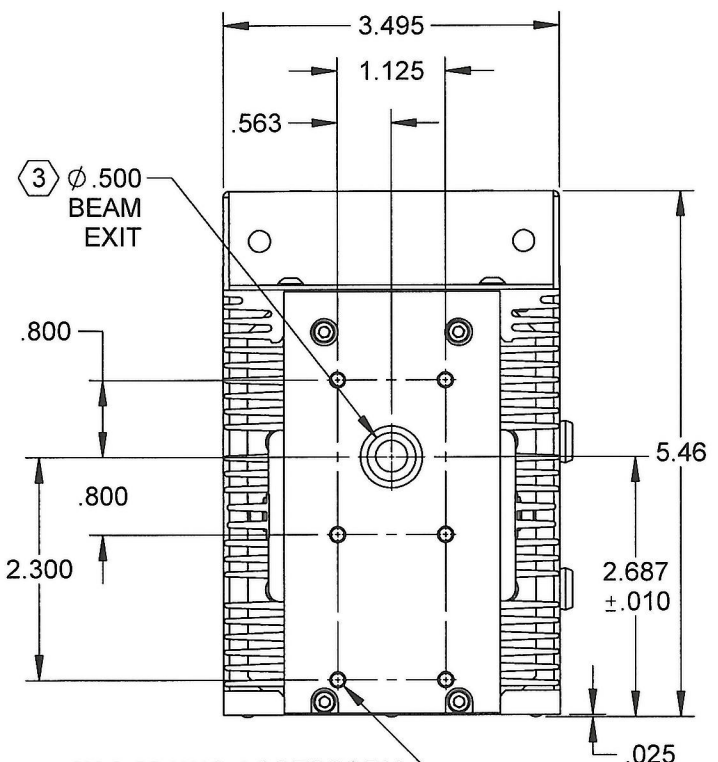
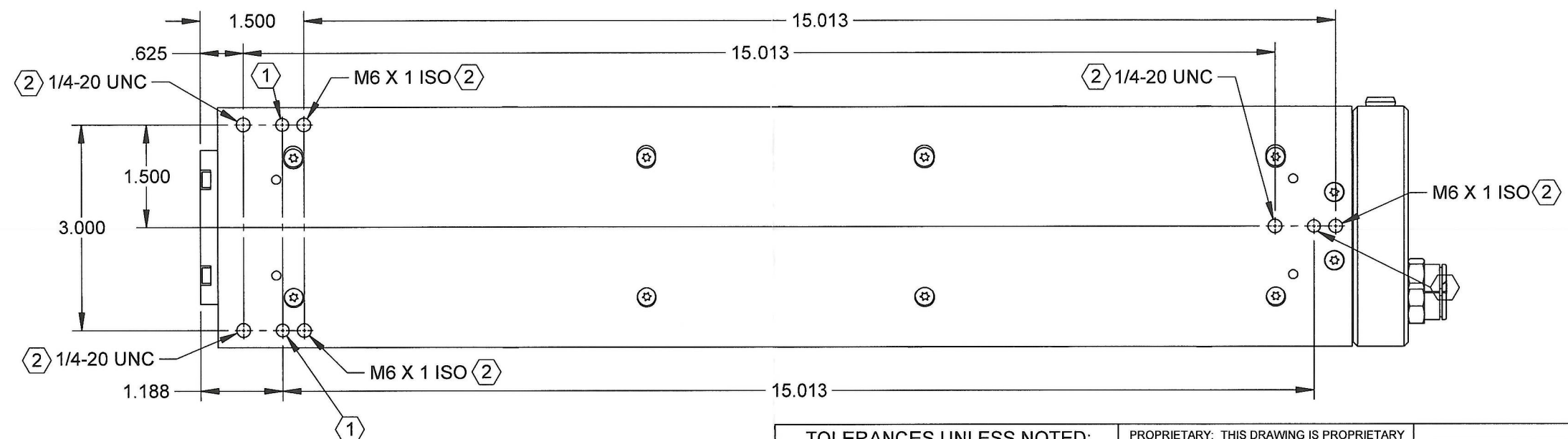


| REV | DA | ECN   | ECO  | DATE      | DESCRIPTION             | DB  |
|-----|----|-------|------|-----------|-------------------------|-----|
| A   | .  | .     | 5319 | 5-Oct-15  | RELEASE TO PRODUCTION   | DMD |
| B   | .  | 10356 | 5648 | 28-Feb-17 | UPDATE COOLING MANIFOLD | DMD |



6X 8-32 UNC ACCESSORY MOUNTING HOLES. SCREWS SHOULD NOT EXTEND MORE THAN .19 INTO FACE PLATE



- NOTES:
- ① HARDENED BALL MOUNTING POINT, 3X (Ø.1875 BALL BEARING).
  - ② THIS MOUNTING HOLE PATTERN USED FOR BOTTOM ACCESS FASTENING.
  - ③ BEAM PATH MAY NOT BE CENTERED OR PERPENDICULAR TO FACE PLATE APERTURE.

|   |  |  |  |  |  |
|---|--|--|--|--|--|
| <b>TOLERANCES UNLESS NOTED:</b><br>.x = ± .1      ANGLE = ± .5°<br>.xx = ± .01<br>.xxx = ± .005           |  | PROPRIETARY: THIS DRAWING IS PROPRIETARY TO SYNRAD AND SHALL NOT BE USED OR DISCLOSED IN WHOLE OR IN PART WITHOUT WRITTEN PERMISSION OF SYNRAD |  |  | <b>SYNRAD</b><br>4600 Campus Place<br>Mukilteo, WA 98275<br>Phone: (425)349-3500<br>Fax: (425)349-3667<br>Synrad, a Novanta Company. |
| MATERIAL:<br>.<br>.   |  | <b>THIRD ANGLE PROJECTION</b><br>  |  |  |  |
| FINISH:<br>.<br>.   |  | <b>DESCRIPTION:</b><br><b>OUTLINE &amp; MOUNTING, Vi30, DUAL COOLED</b>  |  |  |  |
| DRAWN BY: D. DUVAL<br>QLTY CHK BY: <i>Km 8</i><br>ENG CHK BY: <i>Tahish</i><br>APPROVED BY: <i>A-Iyer</i> |  | DATE: 5-Oct-15<br>DATE: 3-2-17<br>DATE: 3-3-17<br>DATE: 03/03/17   |  | DWG/FILE NUMBER: 300-20111-04<br>PART NUMBER: 300-20111-04<br>ENG: M. LIMA    SIZE: B    CATEGORY: .<br>UNITS: Inches    SHEET 1 of 1    FINISH CLASS: . |  |
|   |  |  |  | REV. B   |  |