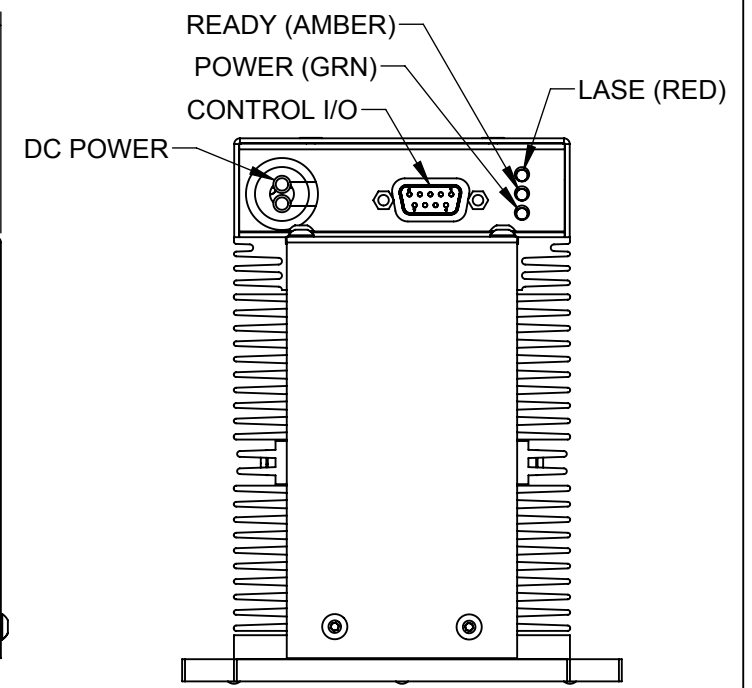
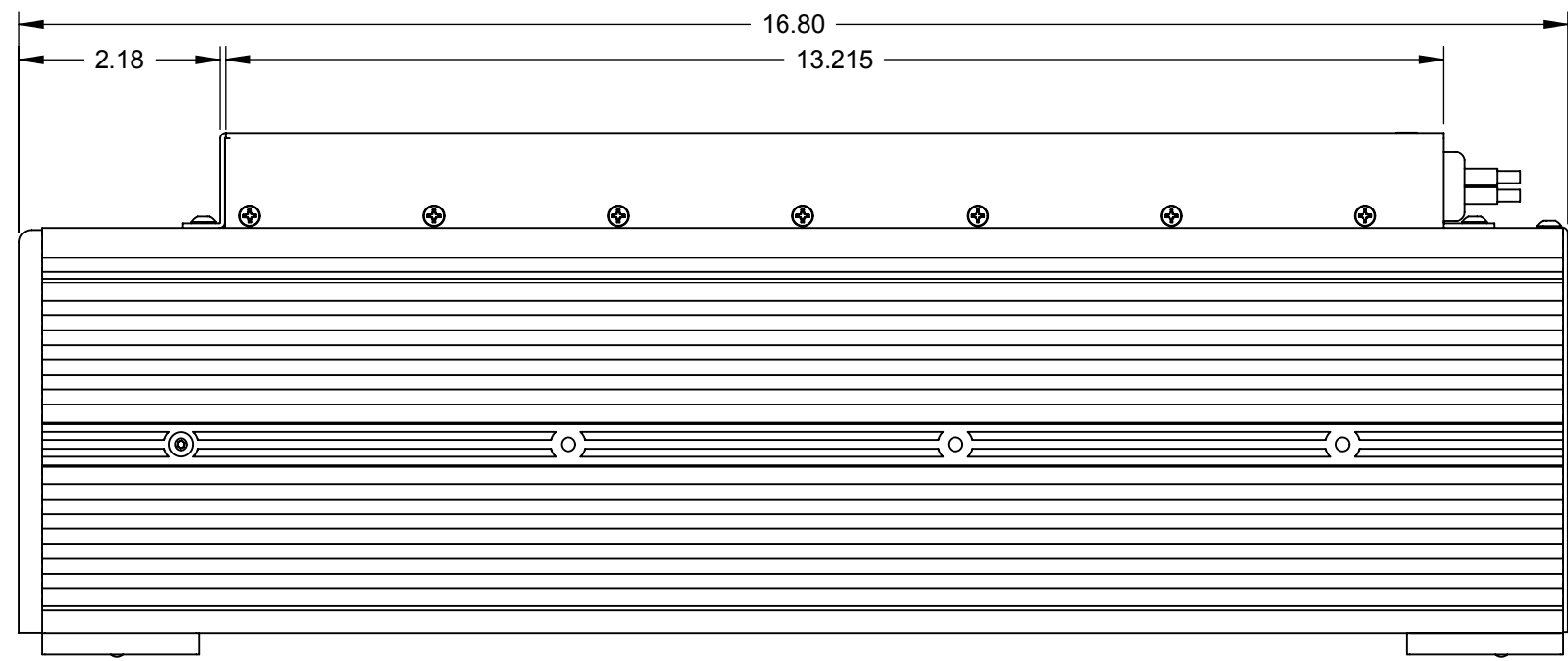
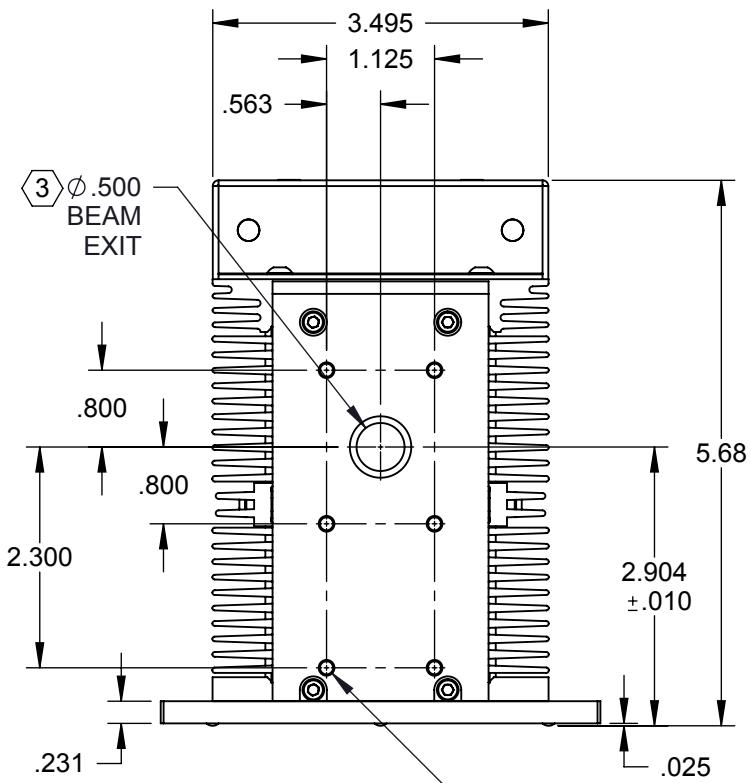
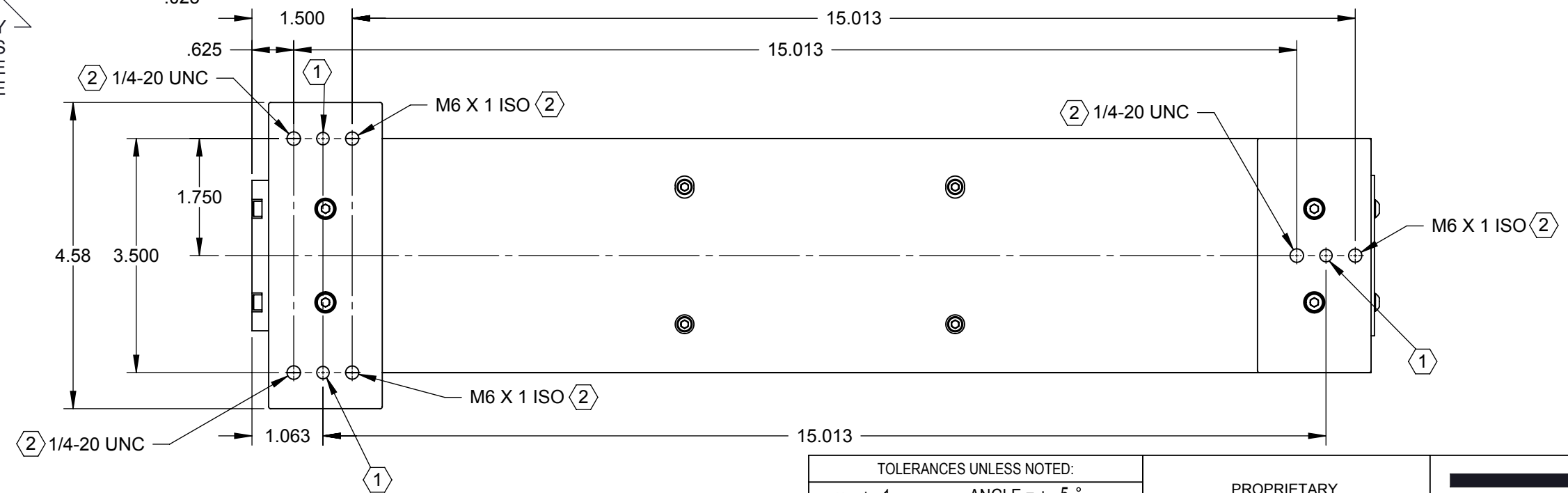


REV	ECO	DATE	DESCRIPTION	DB
A	4325	26-Apr-11	RELEASE TO PRODUCTION	DMD
.
.



6X 8-32 UNC ACCESSORY MOUNTING HOLES. SCREWS SHOULD NOT EXTEND MORE THAN .19 INTO FACE PLATE



- NOTES:
- (1) HARDENED BALL MOUNTING POINT, 3X (Ø.1875 BALL BEARING).
 - (2) THIS MOUNTING HOLE PATTERN USED FOR BOTTOM ACCESS FASTENING.
 - (3) BEAM PATH MAY NOT BE CENTERED OR PERPENDICULAR TO FACE PLATE APERTURE.

TOLERANCES UNLESS NOTED:	
.x = ± .1	ANGLE = ± .5 °
.xx = ± .01	
.xxx = ± .005	
MATERIAL:	
.	
.	
FINISH:	
.	
.	
.	

PROPRIETARY
THIS DRAWING IS PROPRIETARY TO SYNRAD INC. AND SHALL NOT BE USED OR DISCLOSED IN WHOLE OR IN PART WITHOUT WRITTEN PERMISSION OF SYNRAD INC.

DESCRIPTION:
OUTLINE & MOUNTING, Vi30, AIR-COOLED, OEM, TALL/WIDE

	SYNRAD INC. 4600 Campus Place Mukilteo, WA 98275 Phone: (425)349-3500 Fax: (425)349-3667		
	PART NUMBER: 300-20111-03	DWG/FILE NUMBER: 300-20111-03	
SHEET 1 of 1	ENG: .	DRAWN BY: D. DUVAL	DATE: 6-Oct-10
UNITS: Inches	CATEGORY: .	CHECKED BY:	DATE:
SIZE: B	FINISH CLASS: .	APPROVED BY:	DATE: