

MFP

10W~70W

Q-Switch Pulsed Fiber Laser



Product Feature



Excellent Single Pulse Energy

Higher single pulse energy makes our laser applicable to more types of materials and applications



New Compact and Rugged Design

>40% reduction in volume
Higher flexibility when integrated into system



Wide Application Even with Highly Reflective Material

High performance isolator effectively reduces reflection damage to the laser source
Smoothly marking on aluminum, copper and brass etc



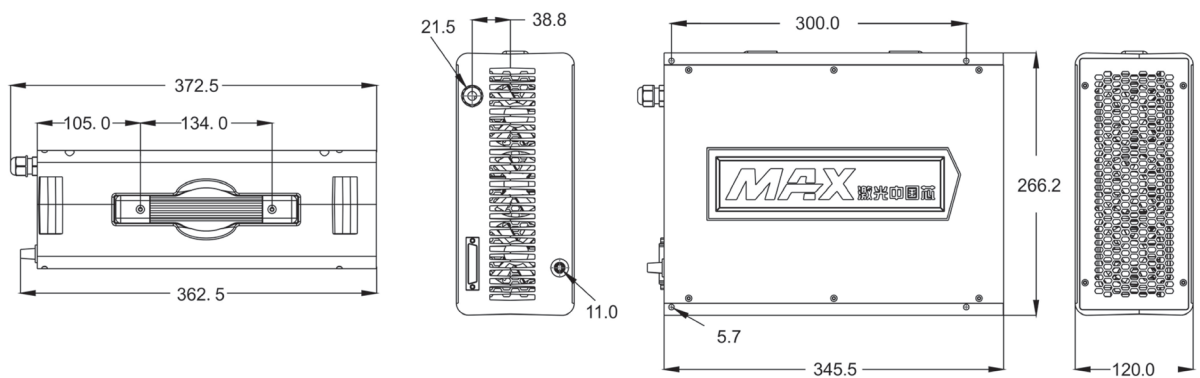
High Level Vertical Integration

All key components are designed and produced in house
Strict quality control, high consistency and reliability

MFP 10W~70W Fiber Laser Specifications

Models	MFP-10W	MFP-20W	MFP-30W	MFP-50W	MFP-70W
OPTICAL SPECIFICATIONS					
Nominal Power	10W	20W	30W	50W	70W
Mode of Operation	Pulsed				
Polarization	Random				
Power Tunability	10 to 100%				
Wavelength	1064 ± 5 nm				
Power Stability	≤ 3 %				
Laser Beam Quality M ²	1.2~1.5		1.3~1.8		
Pulse Energy	0.45 mJ	0.68 mJ	1 mJ		1.45 mJ
Pulse Duration	80~120 ns				100~140 ns
Repetition Rate	20~60 kHz	30~60 kHz		50~80 kHz	50~170 kHz
FIBER DELIVERY SYSTEM					
Length	1.9~3m standard, other lengths optional				3m standard, other lengths optional
Beam Diameter	6~8mm				
Beam Ellipticity	90%				
ELECTRICAL RATINGS					
Supply Voltage	24 VDC				
OTHER SPECIFICATIONS					
Operating Temperature	+10 to +42°C				
Storage Temperature	-10 to +60°C				
Humidity	10 to 95%				
Cooling Method	Air Cooling				
Dimension	345×266.2×120 mm				
Weight	10 kg		12 kg		

Mechanical Specifications (mm)



Maxphotonics Co., Ltd.

Address: Maxphotonics Industrial Park, 3rd Furong Road,
Furong Industrial Area, Shajing, Bao'an, Shenzhen, China.518125
E-Mail: sales@maxphotonics.com <http://en.maxphotonics.com>

MAX PHOTONICS