

# MFPT 20M

MOPA Pulsed Fiber Laser



## Product Feature



### New Generation Optical Path Design

New core technology of fiber gain control



### High Output Power

Greatly improved single pulse energy



### Compact and Rugged Design

Maintenance free Operation



### Wide Application Even with Highly Reflective Material

High performance isolator effectively reduces reflection damage to the laser source  
Smoothly marking on aluminum, copper and brass etc



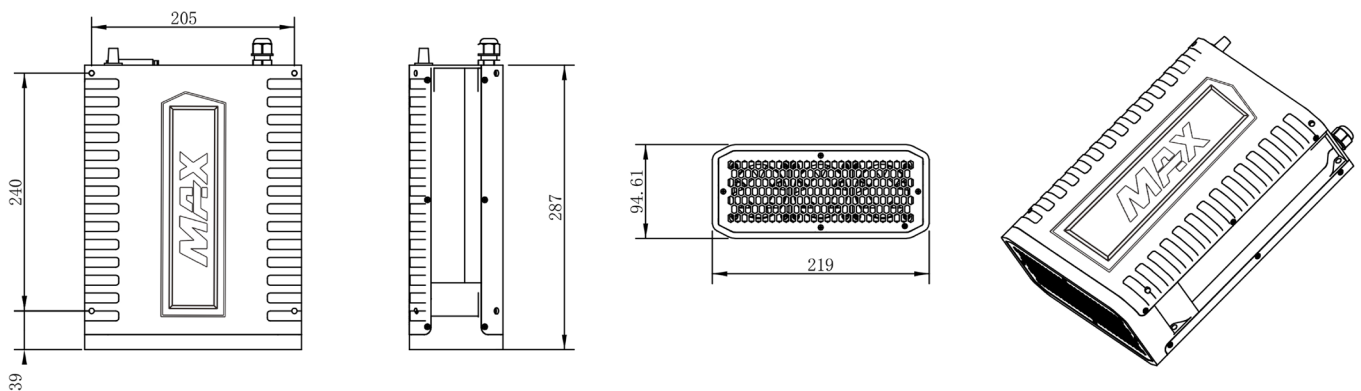
### High Level Vertical Integration

All key components are designed and produced in house  
Strict quality control, high consistency and reliability

## MFPT 20M Fiber Laser Specifications

Model	MFPT-20M
<b>OPTICAL SPECIFICATIONS</b>	
Nominal Power	≥ 20W
Mode of Operation	Pulsed
Polarization	Random
Power Tunability	10 to 100%
Wavelength	1066±3 nm
Power Stability	<5 %
Laser Beam Quality	≤ 1.3
Pulse Energy	0.7 mJ
Pulse Duration	2~350 ns
Repetition Rate	1~4000 kHz
<b>FIBER DELIVERY SYSTEM</b>	
Length	3m standard, other lengths optional
Beam Diameter	5~7mm
<b>ELECTRICAL RATINGS</b>	
Supply Voltage	24 VDC
<b>OTHER SPECIFICATIONS</b>	
Operating Temperature	0 to +40°C
Storage Temperature	-10 to +60°C
Humidity	10 to 95%
Cooling Method	Air Cooling
Dimension	287×219×95 mm
Weight	6 kg

## Mechanical Specifications (mm)



**Maxphotonics Co.,Ltd.**

Address: Maxphotonics Industrial Park, 3rd Furong Road,  
Furong Industrial Area, Shajing, Bao'an, Shenzhen, China.518125  
E-Mail: sales@maxphotonics.com <http://en.maxphotonics.com>

**MAX** PHOTONICS