

MFPT

100~300M+

MOPA Pulsed Fiber Laser



Product Feature



New Generation Optical Path Design

New core technology of fiber gain control



High Output Power

Greatly improved single pulse energy



Compact and Rugged Design

Maintenance free Operation



Wide Application Even with Highly Reflective Material

High performance isolator effectively reduces reflection damage to the laser source
Smoothly marking on aluminum, copper and brass etc



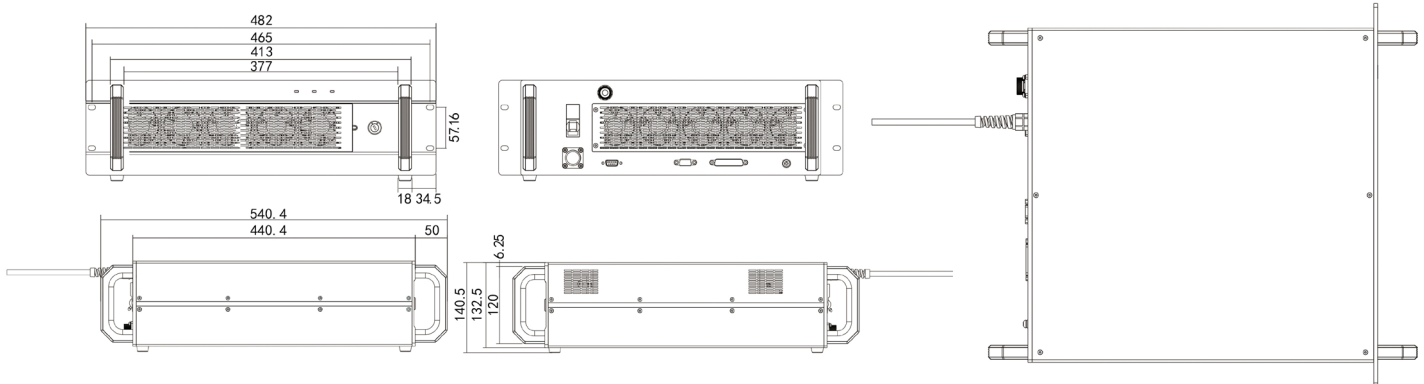
High Level Vertical Integration

All key components are designed and produced in house
Strict quality control, high consistency and reliability

MFPT 100~300M+ Fiber Laser Specifications

Models	MFPT-100 M+	MFPT-120 M+	MFPT-150 M+	MFPT-200 M+	MFPT-250 M+	MFPT-300 M+
OPTICAL SPECIFICATIONS						
Nominal Power	≥ 100W	≥ 120W	≥ 150W	≥ 200W	≥ 250W	≥ 300W
Mode of Operation	Pulse & Continuous					
Polarization	Random					
Power Tunability	10 to 100%					
Wavelength	1060~1070nm					
Power Stability	<5 %					
Laser Beam Quality M2	<1.6, typical value 1.3					
Pulse Energy	1.8 mJ					
Pulse Duration	10~500 ns					
Repetition Rate	1~4000 kHz					
FIBER DELIVERY SYSTEM						
Length	5m standard, other lengths optional					
Beam Diameter	5~7mm				8±1mm	
ELECTRICAL RATINGS						
Supply Voltage	220 VAC Single-phase					
OTHER SPECIFICATIONS						
Operating Temperature	0 to +40°C					
Storage Temperature	-10 to +60°C					
Humidity	10 to 95%					
Cooling Method	Air Cooling					
Dimension	490.4×422×131.3 mm					
Weight	25 kg					

Mechanical Specifications (mm)



Maxphotonics Co.,Ltd.

Address: Maxphotonics Industrial Park, 3rd Furong Road,
Furong Industrial Area, Shajing, Bao'an, Shenzhen, China.518125
E-Mail: sales@maxphotonics.com <http://en.maxphotonics.com>

MAX PHOTONICS