

MFPT 30~70M

MOPA Pulsed Fiber Laser



Product Feature



New Generation Optical Path Design

New core technology of fiber gain control



High Output Power

Greatly improved single pulse energy



Compact and Rugged Design

Maintenance free Operation



Wide Application Even with Highly Reflective Material

High performance isolator effectively reduces reflection damage to the laser source
Smoothly marking on aluminum, copper and brass etc



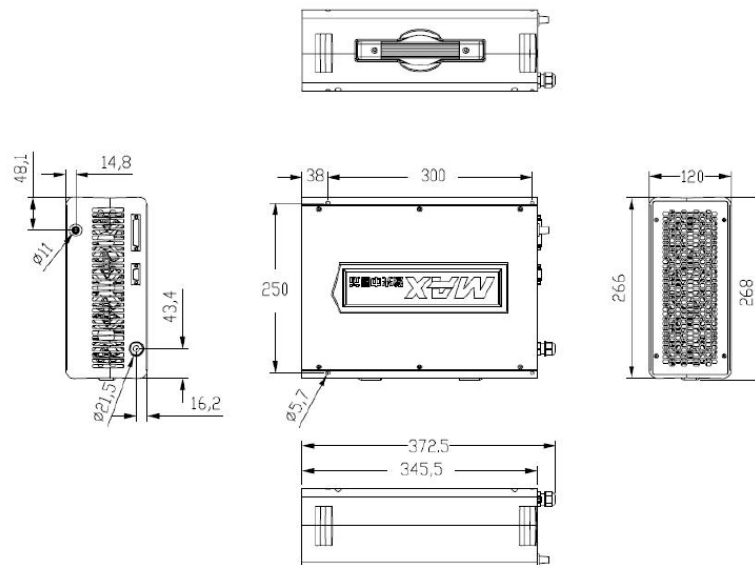
High Level Vertical Integration

All key components are designed and produced in house
Strict quality control, high consistency and reliability

MFPT 30~70M Fiber Laser Specifications

Models	MFPT-30M	MFPT-50M	MFPT-70M
OPTICAL SPECIFICATIONS			
Nominal Power	≥ 30W	≥ 50W	≥ 70W
Mode of Operation	Pulsed		
Polarization	Random		
Power Tunability	10 to 100%		
Wavelength	1066±3 nm		
Power Stability	<5 %		
Laser Beam Quality	≤ 1.3	≤ 1.4	≤ 1.5
Pulse Energy	1 mJ	1 mJ	1 mJ
Pulse Duration	2~350 ns	2~500 ns	
Repetition Rate	1~4000 kHz		
FIBER DELIVERY SYSTEM			
Length	3m standard, other lengths optional		
Beam Diameter	5~7mm		
ELECTRICAL RATINGS			
Supply Voltage	24 VDC		
OTHER SPECIFICATIONS			
Operating Temperature	0 to +40°C		
Storage Temperature	-10 to +60°C		
Humidity	10 to 95%		
Cooling Method	Air Cooling		
Dimension	355×266×120 mm		
Weight	8kg	11 kg	

Mechanical Specifications (mm)



Maxphotonics Co., Ltd.

Address: Maxphotonics Industrial Park, 3rd Furong Road,
Furong Industrial Area, Shajing, Bao'an, Shenzhen, China.518125
E-Mail: sales@maxphotonics.com <http://en.maxphotonics.com>

MAX PHOTONICS